



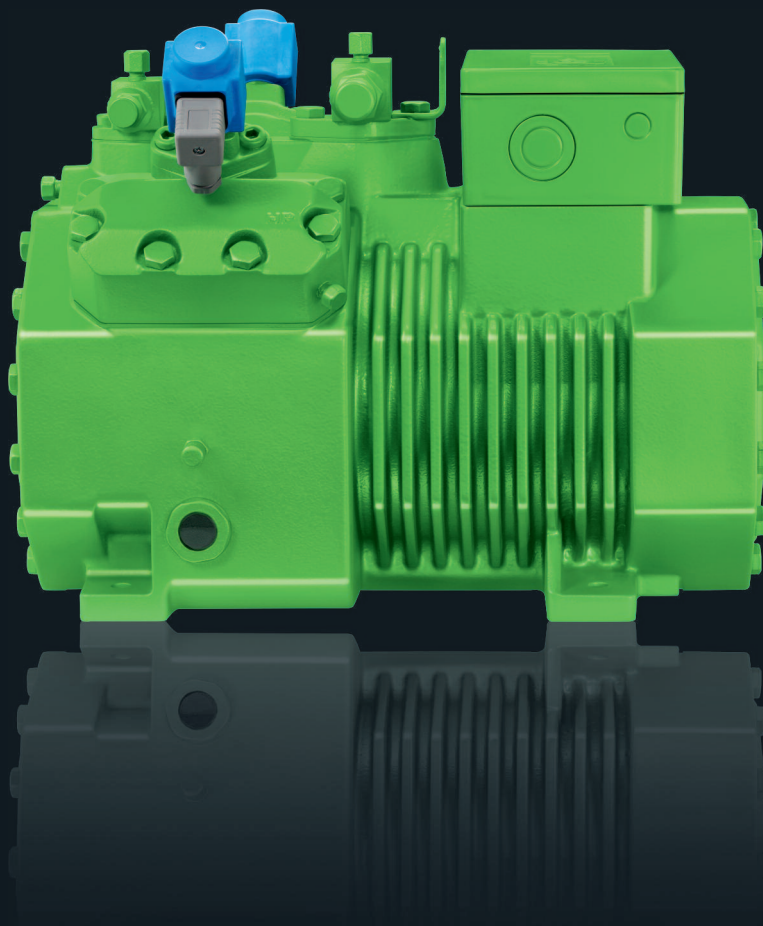
THE HEART OF FRESHNESS

SEMI-HERMETIC

RECIPROCATING COMPRESSORS

ECOLINE

CRII system



50 Hz // KF-200-2 EN

CRII SYSTEM – CAPACITY CONTROL FOR ECOLINE COMPRESSORS

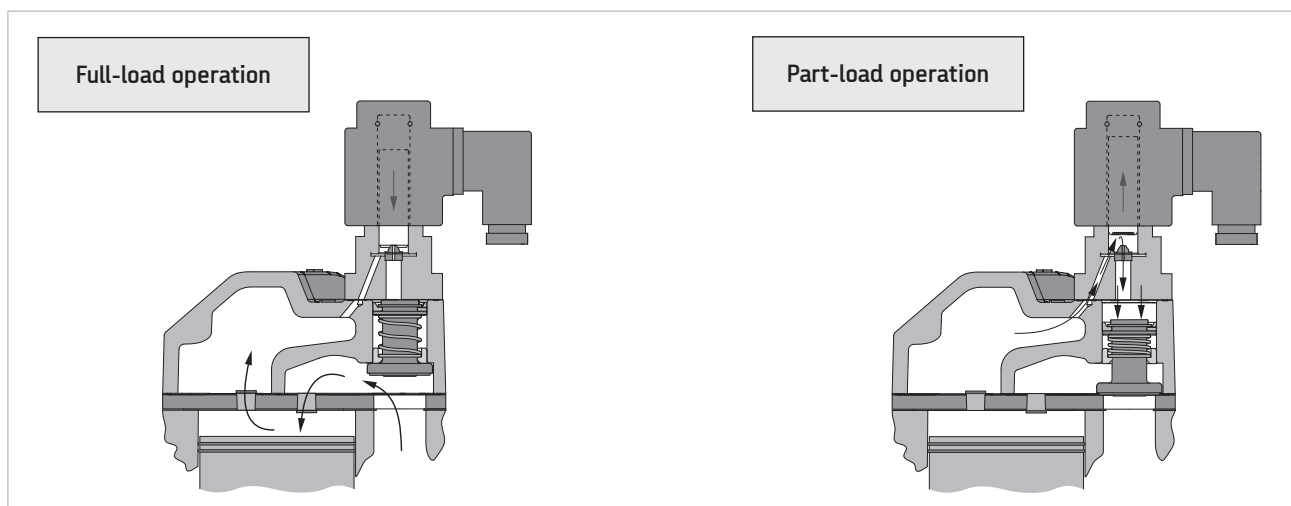
The CRII System is designed for the special requirements of intelligent system controls. It is the advanced version of the well-proven BITZER capacity control (CR) based on blocked suction and has been optimised for a high cycling frequency. It has an extended part load range in order to increase the efficiency and control quality of the system.

The CRII System is available as an accessory for the new generation of ECOLINE compressors and replaces the former CR system.

- // Innovative control piston design allows implementing a higher cycling frequency
- // ECOLINE 4-, 6- and 8-cylinder compressors as well as tandems are available with CRII
New: now the ECOLINE 2-cylinder compressors of the CE2 series with CRII are also disposable
- // 4- and 6-cylinder compressors on all cylinder heads
- // Virtually stepless capacity control, between 100% and 10% depending on operating conditions and refrigerant
- // Standard capacity regulation for 4 cylinders (50/100%), 6 cylinders (33/66/100%) and 8 cylinders (50/75/100%) still possible
- // System is backwards compatible – previous compressors can be retrofitted
- // Part-load performance data in BITZER Software
- // For details, please check KT-101-2

CONTROL PRINCIPLE

The CRII system for capacity control is based on the principle of blocked suction. Here, the suction-side gas flow to the individual cylinder bank is blocked by means of a control piston.



Design of the CRII capacity control