



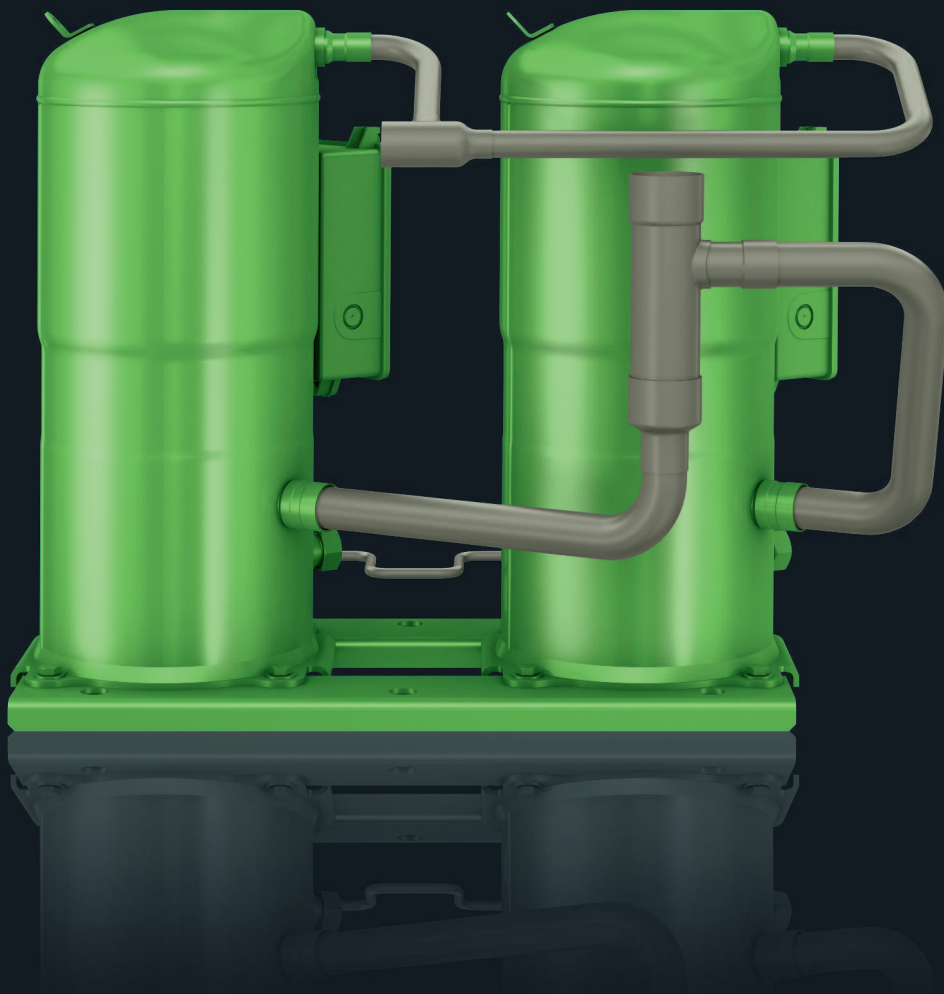
THE HEART OF FRESHNESS

R410A // HERMETIC

SCROLL COMPRESSORS

ORBIT 6: Tandem // Trio
ORBIT 8: Tandem // Trio

BAHT



50 Hz // ESF-100-2 EN

BAHT – BITZER ADVANCED HEADER TECHNOLOGY

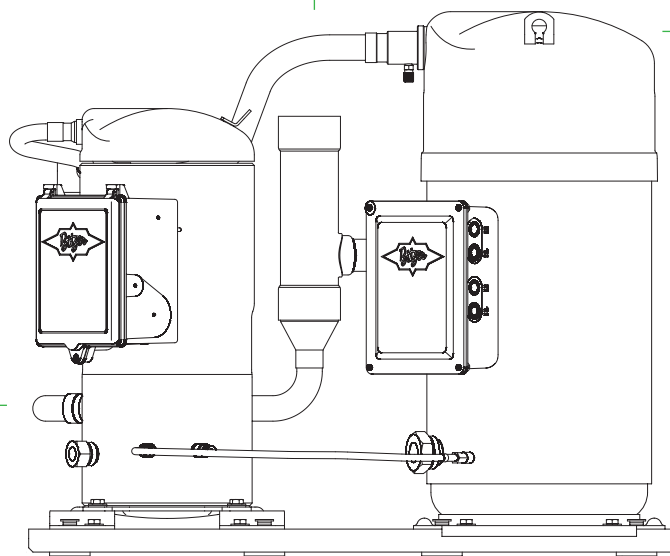
Scroll Tandem and Trio compounds of compressors with different displacements require special measures regarding oil management and piping layout. Our engineers have addressed these challenges and have developed the BITZER Advanced Header Technology. This patent-pending technology takes advantage of the unique features of the ORBIT series compressors. The isolated oil sump design and good miscible PVE oil provide the basis for BITZER's solution by operating with low oil carry-over rates. The Advanced Header Technology guarantees a stable oil supply for compressors in applications with fluctuating load situations. BITZER Advanced Header Technology offers concrete advantages and benefits to OEM customers.

SIMPLE PIPING

- // A few Advanced Headers cover many different compressor combinations
- // Cost reduction due to less inventory

NO RESTRICTIONS IN COMPRESSOR START SEQUENCE CONTROL

- // Does not require costly changes to unit firmware



NO RESTRICTOR WASHERS

- // Low risk of assembly mistakes

WIDE RANGE OF APPLICATION SOLUTIONS

- // Even tandems
- // Uneven tandems
- // Mixed tandems (combination of ORBIT 6 + ORBIT 8)
- // Fixed and variable speed tandems
- // Even trios
- // Uneven trios