



DAS HERZ DER FRISCHE

OPERATING INSTRUCTIONS

BETRIEBSANLEITUNG

INSTRUCTION DE SERVICE

CB-112-1

VARIPACK IP20 - External BITZER Frequency Inverters (FI) Translation of the original operating instructions English.....	2
VARIPACK IP20 - Externe BITZER Frequenzumrichter (FU) Originalbetriebsanleitung Deutsch	12
VARIPACK IP20 – Convertisseurs de fréquences externes (CF) BITZER Traduction des instructions de service d'origine Français.....	23

FMU+6-4	FPU+61-4
FMU+10-4	FPU+72-4
FNU+14-4	FPU+90-4
FNU+18-4	FQU+110-4
FNU+24-4	FQU+150-4
FOU+30-4	FQU+180-4
FOU+39-4	FQU+202-4
FOU+46-4	FSU+370-4
	FSU+480-4

Document for electrically skilled installers
Dokument für elektrisch unterwiesene Monteure
Document pour des monteurs instrués électriquement



Table of contents

1 Safety	3
2 Mounting	3
2.1 Clearance and tightening torques	3
3 Electrical connection	4
3.1 Residual current circuit breakers (RCD or FI switch).....	4
3.2 Cable selection	4
3.3 Wiring.....	4
3.4 Information for UL compliance.....	4
3.5 Electromagnetic compatibility (EMC).....	5
3.6 Safe Torque Off (STO)	5
3.7 Control terminal wiring	7
3.8 Using the control terminals	7
4 Commissioning	8
5 Operation	9
6 Technical data	11

1 Safety

This guide does not provide detailed installation, safety or operational instructions. See the operating instructions CB-110 for complete information.

See BITZER Website or scan the QR code to access the complete operating instructions:



CAUTION

In operation, the heat sink of the frequency inverter will get hot.



Risk of burns upon contact!

Prior to performing work on the frequency inverter, disconnect the power supply and wait for at least 15 minutes until the heat sink has cooled down.



DANGER

Wrong or insufficient earthing may result in life-threatening electric shocks upon contact with the frequency inverter!



Earth the complete frequency inverter permanently and check the earth contacts at regular intervals!

Prior to any intervention in the device, check all voltage connections for proper insulation.



DANGER

Life-threatening voltages inside the frequency inverter housing!



Contact can lead to serious injuries or death.

Never open the FI housing in operation! Switch off the main switch and secure it against being switched on again.

Wait for at least 10 minutes until all capacitors have been discharged!

Before switching on again, close the FI housing.



NOTICE

Risk of frequency inverter failure caused by over-voltage!

Always disconnect the frequency inverter from the circuit to be tested before any high-voltage tests or an insulation test on lines in operation!

2 Mounting

- IP20 units must be mounted in a switch cabinet.
- The frequency inverter must be mounted in a vertical position only.
- Refer to technical data and ensure the chosen mounting location is within the FI specification.
- The mounting location must be free from vibration.



Information

If the FI (FQU series) has been in storage for a period longer than 2 years, the DC link capacitors must be reformed.

See operating instructions CB-110 for further information.

2.1 Clearance and tightening torques

Mounting clearance:

FI size	Above and below	Either side
M, N	100 mm	10 mm
O, P, Q	200 mm	25 mm
S	350 mm	50 mm



Information

Typical FI heat losses are approximately 2% of operating load conditions. Above are guidelines only and the operating ambient temperature of the FI must be maintained at all times.

Tightening torques:

FI size	Control terminals	Power terminals
M	0.5 Nm	0.8 Nm
N	0.5 Nm	0.8 Nm
O	0.5 Nm	2 Nm
P	0.5 Nm	4 Nm
Q	0.5 Nm	15 Nm
S	0.5 Nm	57 Nm

3 Electrical connection

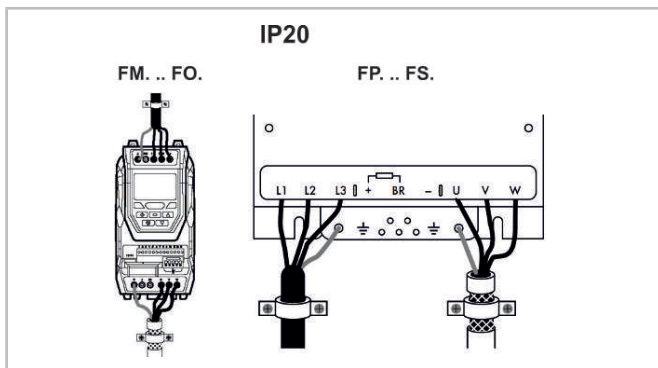
3.1 Residual current circuit breakers (RCD or FI switch)

- Use only FI circuit breakers (RCD) sensitive to all types of currents of type B that are capable of also detecting residual direct currents.
- Select a separate RCD for each FI with respect to the system configuration and environmental conditions.

3.2 Cable selection

- Connect the voltage supply cable to the terminals L1, L2, L3 and the protective earth terminal. Phase sequence is not important.
- For compliance with EMC requirements, refer to on-line documentation CB-110.
- Dimension cables according to any local codes or regulations. Maximum dimensions are given in the technical data section.

3.3 Wiring



3.4 Information for UL compliance

The frequency inverter is designed to meet the UL requirements. For an up to date list of UL compliant products, please refer to UL listing NMMS.E475976. In order to ensure full compliance, the following must be fully observed.

Input power supply requirements

Supply voltage	380 .. 480 V +/- 10% (TN and TT power grid)
Frequency	50 .. 60 Hz +/- 5%
Short circuit capacity	All FI are suitable for use on a circuit capable of delivering not more than 100 kA maximum short-circuit current symmetrical with the specified maximum supply voltage when protected by class J fuses.

Mechanical installation requirements

All frequency inverter units are intended for installation within controlled environments which meet the condition limits shown in the technical data section of this Quick Start Guide.

IP20 units must be installed in a pollution degree 1 environment. If it is necessary to install an IP20 unit in an environment with a higher pollution degree, then the FI must be installed inside an enclosure that provides the FI with a pollution degree 1 environment.

Electrical installation requirements

Suitable power and motor cables should be selected according to the data shown in technical data section of this Quick Start Guide and the National Electrical Code or other applicable local codes.

Motor Cable: min. 75°C copper must be used.

Integral solid state short circuit protection does not provide branch circuit protection. Branch circuit protection must be provided in accordance with the national electrical code and any additional local codes. Ratings are shown in the technical data section of this Quick Start Guide.

For Canadian installations transient surge suppression must be installed on the line side of this equipment and shall be rated 480 V (phase to ground), 480 V (phase to phase), suitable for over voltage category III and shall provide protection for a rated impulse withstand voltage peak of 2.5 kV.

UL Listed ring terminals/lugs must be used for all bus bar and grounding connections.



WARNING

The opening of the branch-circuit protective device may be an indication that a fault has been interrupted. To reduce the risk of fire or electric shock, current-carrying parts and other components of the controller should be examined and replaced if damaged. If burnout of the current element of an overload relay occurs, the complete overload relay must be replaced.



3.5 Electromagnetic compatibility (EMC)

It is the responsibility of the installer to ensure that the equipment or system into which the product is incorporated complies with the EMC legislation of the country of use. Within the European Union, equipment into which this product is incorporated must comply with the EMC Directive 2014/30/EU. When using an FI compliance with the following EMC Categories, as defined by EN61800-3:2004 can be achieved:

FI size	IP rating	Maximum motor cable length		
		C1 ^①	C2	C3
M, N, O, P, Q	IP20	1 m	5 m	25 m
S	IP20	-	5 m	25 m

① Compliance with category C1 conducted emissions only is achieved.

3.6 Safe Torque Off (STO)

As standard, the VARIPACK frequency inverters are equipped with a shut-off function, the Safe Torque Off (STO). Due to the STO function, the main contactor before or after the VARIPACK frequency inverter may be omitted.

Responsibilities

The overall system designer is responsible for defining the requirements of the overall “Safety Control System” within which the FI will be incorporated. Furthermore the system designer is responsible for ensuring that the complete system is risk assessed and that the “Safety Control System” requirements have been entirely met and that the function is fully verified. This must include confirmation testing of the STO function before FI commissioning.

The system designer shall determine the possible risks and hazards within the system by carrying out a thorough risk and hazard analysis, the outcome of the analysis should provide an estimate of the possible hazards, furthermore determine the risk levels and identify any needs for risk reduction. The STO function should

be evaluated to ensure it can sufficiently meet the risk level required.

What STO provides

The purpose of the STO function is to provide a method of preventing the FI from creating torque in the motor in the absence of the STO input signals (Terminal 12 with respect to Terminal 13), this allows the FI to be incorporated into a complete safety control system where STO requirements need to be fulfilled.



WARNING

The STO function does not prevent the FI from an unexpected re-start. As soon as the STO input receives the relevant signal it is possible to restart automatically, Based on this, the function should not be used for carrying out short-term non-electrical machinery operations (such as cleaning or maintenance work).

The STO function can typically eliminate the need for electro-mechanical contactors with cross-checking auxiliary contacts as per normally required to provide safety functions.

The FI has the STO function built-in as standard and complies with the definition of “Safe torque off” as defined by IEC 61800-5-2:2007.

The STO function also corresponds to an uncontrolled stop in accordance with category 0 (Emergency Off), of IEC 60204-1. This means that the motor will coast to a stop when the STO function is activated. This method of stopping should be confirmed as being acceptable to the system the motor is driving.


The STO function is recognised as a failsafe method even in the case where the STO signal is absent and a single fault within the FI has occurred, the FI has been proven in respect of this by meeting the following safety standards:

EN 61800-5-2	
SIL (Safety Integrity Level)	2
PFHD (Probability of dangerous Failures per Hour)	1.23E-09 1/h (0.12% of SIL 2)
SFF (Safe failure fraction %)	50
Lifetime assumed	20 years

EN ISO 13849-1	
PL (Performance Level)	PL d
CCF (%) (Common Cause Failure)	1
MTTFd	4525a
Category	3

EN 62061	
SILCL	SILCL 2

The values achieved above maybe jeopardised if the FI is installed outside of the environmental limits.

 **WARNING** Disconnect and isolate the FI before attempting any work on it. The STO function does not prevent high voltages from being present at the FI power terminals.
When using permanent magnet motors and in the unlikely event of a multiple output power devices failing then the motor could effectively rotate the motor shaft by 180/p degrees (Where p denotes number of motor pole pairs).

STO operation

When the STO input is energised, the STO function is in a standby state, if the FI is then given a “Start signal/command” then the FI will start and operate normally.

When the STO input is de-energised then the STO function is activated and stops the FI (Motor will coast), the FI is now in “Safe Torque Off” mode.

STO status and monitoring

FI display:

In Normal FI operation (Mains AC power applied, compressor not running), when the FI's STO input is de-energised (STO Function activated) the FI will highlight this by displaying “INHIBIT”. If the FI is in a tripped condition then the relevant trip will be displayed and not “INHIBIT”. If the STO input is energised and the display still shows "INHIBIT", there is a fault at the STO input.

FI output relay:

FI relay 1 will open when the STO input is not energized.

Fault code:


Fault code	Code number	Description
STO-F	29	<ul style="list-style-type: none"> Internal safety input circuit error. Safety circuit momentarily opened during drive running.

STO function response time

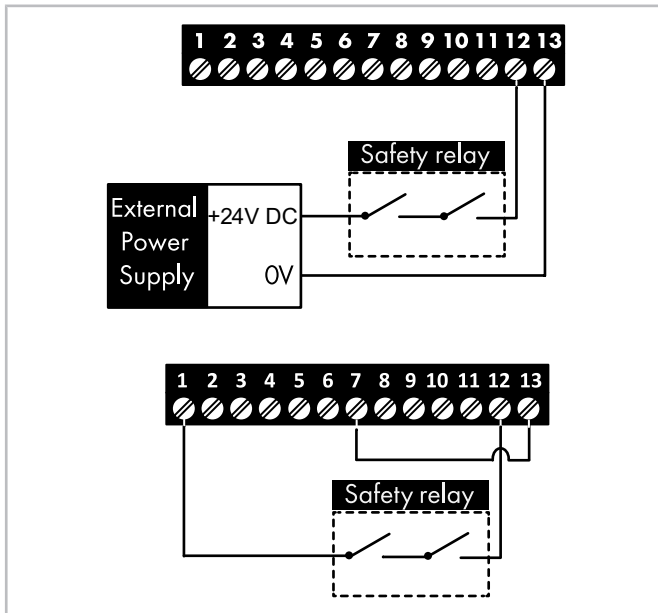
The total response time is the time from a safety related event occurring to the components (sum of) within the system responding and becoming safe. (Stop Category 0 in accordance with IEC 60204-1).

- The response time from the STO input being de-energised to the output of the FI being in a state that will not produce torque in the motor (STO active) is less than 1 ms.
- The response time from the STO input being de-energised to the STO monitoring status changing state is less than 20 ms.
- The response time from the FI sensing a fault in the STO circuit to the FI displaying the fault on the display/Digital output showing FI not healthy is less than 20 ms.

STO electrical installation

 **WARNING** The STO wiring shall be protected from inadvertent short circuits or tampering which could lead to failure of the STO input signal.

In addition to the wiring guidelines for the STO circuit, EMC compliant installation should also be followed. The FI should be wired as shown in the diagram. The 24 V DC signal source applied to the STO input can be either from the 24 V DC on the FI or from an external 24 V DC power supply.



Information

The maximum cable length from voltage source to the FI terminals should not exceed 25 metres.

External power supply specification

Voltage rating (nominal)	24 V DC
STO logic high	18 .. 30 V DC (Safe torque off in standby)
Current consumption (maximum)	100 mA

Safety relay specification

The system designer is responsible for ensuring that the complete system is risk assessed and that the “Safety Control System” requirements have been entirely met.

If a safety relay is required it should be chosen so that at minimum it meets the safety standards which the FI meets.

Standard requirements	SIL2 or PLd SC3 or better (with forcibly guided contacts)
Number of output contacts	2 independent
Switching voltage rating	30 V DC
Switching current	100 mA

Testing the STO function

Before commissioning the system the STO function should always be tested for correct operation:

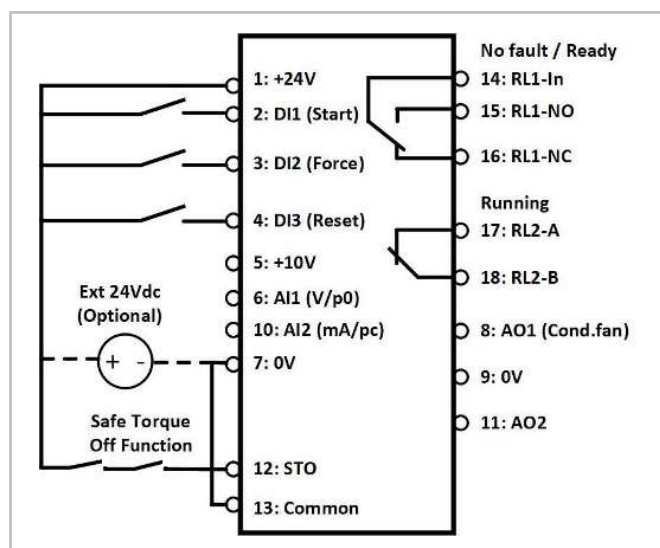
- With the motor at standstill, and a stop command given to the FI:
 - De-energise the STO input (FI will display “INHIBIT”).
 - Give a start command and check that the FI still displays “INHIBIT”.
- With the motor running normally (from the FI):
 - De-energise the STO input (FI will display “STO-F”).

The STO function should be included within the control systems scheduled maintenance program so that the function is regularly tested for integrity (minimum once per year), furthermore the function should be integrity tested following any safety system modifications or maintenance work.

3.7 Control terminal wiring

- All analog signal cables should be suitably shielded. Twisted pair cables are recommended.
- Power and control signal cables should be routed separately where possible, and must not be routed parallel to each other.
- Signal levels of different voltages e.g. 24 V DC and 230 V AC, should not be routed in the same cable.
- Control cable entry conductor size: 0.05 – 2.5 mm² / 30 – 12 AWG.

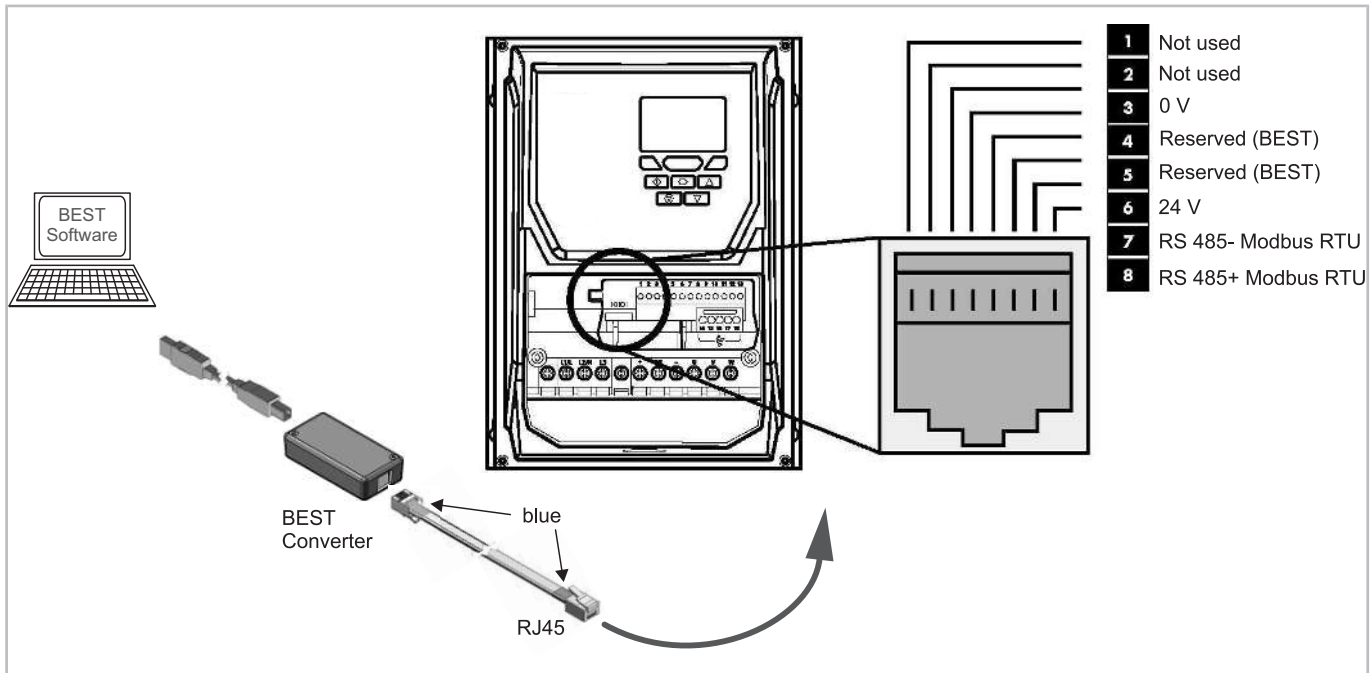
3.8 Using the control terminals



4 Commissioning

Connect the FI to a PC via the BEST interface converter and the RJ45 adapter cable marked in blue.

Communication via BEST SOFTWARE



NOTICE
This is not an Ethernet connection. Do not connect directly to an Ethernet interface.

Information
When using Modbus RTU, make sure that the 0 V signal (pin 3) is also used to avoid communication errors and potentially damaging common mode voltages.

See BEST - VARIPACK Documentation tab - Modbus.

Establish communication with the Windows BEST SOFTWARE (see figure above)

- FI must be supplied with mains voltage.
- Start the BEST SOFTWARE.
- Click the NEW button.
- Select the VARIPACK.
- Click the CONNECT button.

This concludes the connection of the VARIPACK frequency inverter to the PC.

Configuring the VARIPACK

- Capacity control of the compressor depending on an external setpoint signal:
 - Click the CONFIGURATION button.

- Click on the COMPRESSOR MODEL parameter and select the compressor, including the motor code and the motor connection type.
- Select the corresponding refrigerant.
- Select the "Analog setpoint input" (AI1: 0 .. 10 V / AI2: 4 .. 20 mA).
- Select the setpoint control characteristic "Min .. Max" or "0 .. Max".
- Click on the TRANSFER parameter, select it and then click on TRANSFER USER SETTINGS TO THE DEVICE.

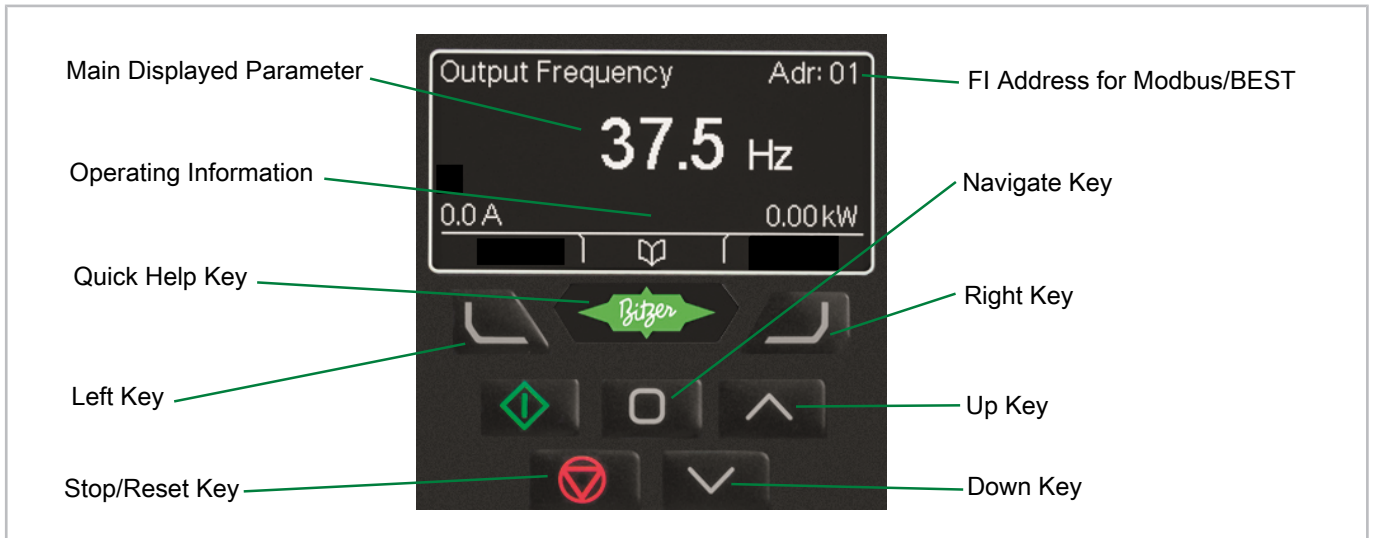
This completes the basic configuration.

- Capacity control of the compressor depending on the evaporation pressure using the extension module for pressure control (option, part no. 34797202):
 - Same procedure as above.
 - Click on the OPERATING MODE parameter and select "Pressure control".
 - If necessary, adapt the temperature and pressure settings.
 - Click on the TRANSFER parameter, select it and then click on TRANSFER USER SETTINGS TO THE DEVICE.

This completes the basic configuration.

5 Operation

Managing the keypad



Main Displayed Parameter: Shows which of the selectable parameters is currently being shown on the main display, e.g. motor speed, motor current etc.

Operating Information: Provides a real time display of key operating information, e.g. output current and power.

Quick Help Key: Provides access to short description of the displayed messages.

Left Key: The cursor will step one digit to the left

Stop/Reset Key: Used to reset a tripped FI.

FI Address: FI serial communication address set in parameter P5-01.

Navigate Key: Used to display real-time information, to access and exit parameter edit mode and to store parameter changes.

Right Key: The cursor will step one digit to the right

Up Key: Used to increase parameter values in parameter edit mode.

Down Key: Used to decrease parameter values in parameter edit mode.

Selecting the language

<p>INHIBIT</p>	<p>Display Setting ▶ Select Language Adjust bightness Display version & che</p>	<p>Select Language Español Deutsch English</p>	<p>Select Language Español ▶ Deutsch English</p>
<p>Press and hold the BITZER Key for > 1 second</p>	<p>Press the BITZER Key for < 1 second</p>	<p>Use the Up and Down Keys to select the language</p>	<p>Press the Navigate Key to confirm</p>

Changing parameters

Stop	P1-01	P1-01	30.0	30.0
15kW 400V 3Ph	50.0Hz	50.0Hz	↑30.0 ↓3.0	↑30.0 ↓3.0
Press and hold the Navigate Key > 2 seconds	Use the Up and Down Keys to select the required parameter	Press the Navigate Key for < 1 second	Adjust the value using the Up and Down Keys	The cursor will step one digit to the left

P1-08	Stop
30.0A	15kW 400V 3Ph
Press the Navigate Key for < 1 second to return to the parameter menu	Press the Navigate Key for > 2 seconds to return to the operating display

Selecting the parameter groups

Enter password "8670" in parameter P1-14 to enable extended parameter access. Additional parameter groups are now visible and may be selected quickly by the following method.

P1-01	P2-01
50.0Hz	5.0Hz
Whilst in the parameter selection menu, press the Navigate and Up or Navigate and Down Keys simultaneously	The next highest or lowest accessible parameter group will be selected

Parameter groups

- P0 - Monitoring
- P1 - Compressor control (operating frequency, ramps, control mode and user access level)
- P2 - Miscellaneous and Resonance avoidance
- P3 - Pressure/Temperature control
- P5 - Communication Modbus RTU
- P8 - Rack controller (2nd compressor)

6 Technical data

380 .. 480 V (+/- 10%). 3 phase input. 3 phase output

FI size	Power rating		Input current A	Fuse / MCB (Type B)		Maximum cable size		Rated output current A
	kW	HP		Non UL	UL	mm ²	AWG / kcmil	
FMU+6-4	2.2	3	4.8	6	6	8	8	5.8
FMU+10-4	4	5	8.2	10	10	8	8	9.5
FNU+14-4	5.5	7.5	11.5	16	15	8	8	14
FNU+18-4	7.5	10	15.7	25	20	8	8	18
FNU+24-4	11	15	21.3	32	30	8	8	24
FOU+30-4	15	20	25	32	30	16	8	30
FOU+39-4	18.5	25	32.8	50	40	16	5	39
FOU+46-4	22	30	39.3	50	50	16	5	46
FPU+61-4	30	40	52.3	63	70	35	5	61
FPU+72-4	37	50	62.5	80	80	35	2	72
FPU+90-4	45	60	79.5	100	100	35	2	90
FQU+110-4	55	75	102.2	125	FWP-125A	150	300MCM	110
FQU+150-4	75	100	138.2	200	FWP-175A	150	300MCM	150
FQU+180-4	90	150	167.4	250	FWP-225A	150	300MCM	180
FQU+202-4	110	175	189.8	250	FWP-250A	150	300MCM	202
FSU+370-4	200	200	377.2	500	500	240	450MCM	370
FSU+480-4	250	250	458.7	600	600	240	450MCM	480



Information

Cable sizes shown are the maximum possible that may be connected to the FI. Select cables according to local wiring codes or regulations at the point of installation.

Environment

- Storage ambient temperature range:
-40 .. 60°C
- Operational ambient temperature range:
-10 .. 50°C
FI size FPU+90:
> 35°C: Derating: 1,1% per °C
- Maximum altitude: 4000 m
> 1000 m: Derating: 1% per 100 m
- Relative humidity: 95%, non-condensing
- Designed to operate in 3S2/3C2 environments in accordance with IEC 60721-3-3

Inhaltsverzeichnis

1 Sicherheit	13
2 Montage	13
2.1 Abstände und Anzugsdrehmomente	13
3 Elektrischer Anschluss	14
3.1 Fehlerstromschutzschalter (RCD- oder FI-Schalter)	14
3.2 Kabelauswahl	14
3.3 Verkabelung.....	14
3.4 Angaben zur UL-Konformität	14
3.5 Elektromagnetische Verträglichkeit (EMV)	15
3.6 Safe Torque Off (Sicher abgeschaltetes Moment) (STO).....	15
3.7 Verkabelung der Steueranschlüsse	18
3.8 Verwendung der Steueranschlüsse	18
4 Inbetriebnahme	19
5 Betrieb	20
6 Technische Daten	22

1 Sicherheit

Diese Kurzanleitung enthält keine ausführliche Installationsanleitung, Sicherheitshinweise oder Bedienungsanleitung. Ausführliche Informationen sind aus der Betriebsanleitung CB-110 ersichtlich.

Die detaillierte Betriebsanleitung ist auf der BITZER-Internetseite oder durch Scannen des QR-Codes verfügbar:



VORSICHT

Im Betrieb wird der Kühlkörper des Frequenzumrichters heiß.



Gefahr von Verbrennungen bei Berührung!
Vor Arbeiten am Frequenzumrichter, Stromversorgung trennen und mindestens 15 Minuten warten bis der Kühlkörper abgekühlt ist.



GEFAHR

Eine falsche oder unzureichende Erdung kann bei Berührung des Frequenzumrichters zu lebensgefährlichen elektrischen Schlägen führen!
Den kompletten Frequenzumrichter permanent erden und Erdungskontakte regelmäßig überprüfen!



Vor jedem Eingriff in das Gerät die ordnungsgemäße Isolierung aller Spannungsanschlüsse überprüfen!



GEFAHR

Lebensgefährliche Spannungen im Frequenzumrichtergehäuse!



Berühren kann zu schweren Verletzungen oder Tod führen.

FU-Gehäuse niemals im Betrieb öffnen! Hauptschalter ausschalten und gegen Wiedereinschalten sichern.

Mindestens 10 Minuten warten bis alle Kondensatoren entladen sind!

Vor Wiedereinschalten FU-Gehäuse schließen.



HINWEIS

Gefahr von Ausfall des Frequenzumrichters durch Überspannung!

Vor Hochspannungsprüfungen bzw. Isolationsprüfung an den Leitungen im Betrieb: Den Frequenzumrichter immer vom zu prüfenden Stromkreis trennen!

2 Montage

- IP20-Einheiten sind für die Montage in einem Schaltschrank vorgesehen.
- Die Montage des Frequenzumrichters darf nur in senkrechter Lage erfolgen.
- Der gewählte Montageort muss den technischen Daten des FU entsprechen.
- Der Montageort muss schwingungsfrei sein.



Information

Bei einer Lagerzeit des FU (Baureihe FQU) von mehr als 2 Jahren müssen die Zwischenkreis-kondensatoren formiert werden.

Siehe Betriebsanleitung CB-110 für weitere Informationen.

2.1 Abstände und Anzugsdrehmomente

Montageabstand:

Größe des FU	Oben und unten	Auf jeder Seite
M, N	100 mm	10 mm
O, P, Q	200 mm	25 mm
S	350 mm	50 mm



Information

Die Wärmeverluste eines FU liegen in der Regel bei ca. 2% der Betriebslast. Das oben Gesagte dient nur als Richtlinie, wobei die Betriebsumgebungstemperatur des FU jederzeit eingehalten werden muss.

Anzugsdrehmomente:

Größe des FU	Steueranschlüsse	Leistungsanschlüsse
M	0,5 Nm	0,8 Nm
N	0,5 Nm	0,8 Nm
O	0,5 Nm	2 Nm
P	0,5 Nm	4 Nm
Q	0,5 Nm	15 Nm
S	0,5 Nm	57 Nm

3 Elektrischer Anschluss

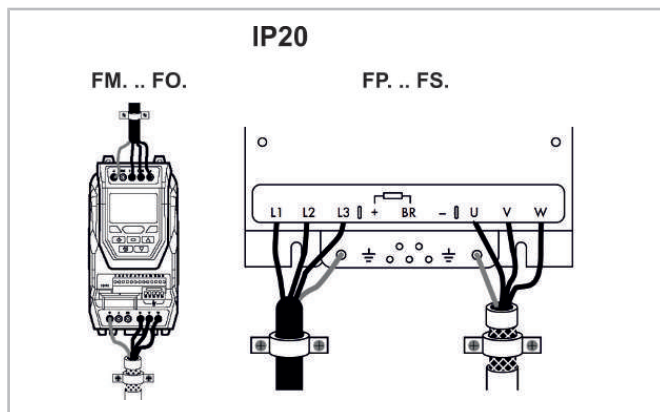
3.1 Fehlerstromschutzschalter (RCD- oder FI-Schalter)

- Nur allstromsensitive FI-Schutzschalter (RCD) vom Typ B verwenden, die in der Lage sind auch Gleichfehlerströme zu erfassen.
- Für jeden FU einen separaten RCD in Bezug auf Systemkonfiguration und Umgebungsbedingungen bemessen.

3.2 Kabelauswahl

- Anschluss der Spannungsversorgung an die Klemmen L1, L2, L3 und Schutzleiterklemme. Die Phasenfolge spielt keine Rolle.
- Einhaltung der EMV-Anforderungen, siehe Onlinedokumentation CB-110.
- Die Kabelabmessungen müssen den örtlichen Sicherheitsvorschriften entsprechen. Die maximalen Abmessungen stehen im Abschnitt Technische Daten.

3.3 Verkabelung



3.4 Angaben zur UL-Konformität

Der Frequenzumrichter ist so ausgelegt, dass er die UL-Anforderungen erfüllt. Eine aktuelle Auflistung UL-konformer Produkte ist im UL-File NMMS E475976 ersichtlich. Um uneingeschränkte Konformität zu gewährleisten, müssen die folgenden Punkte vollständig eingehalten werden.

Anforderungen an die Eingangsstromversorgung

Versorgungsspannung	380 ... 480 V +/- 10% (TN- und TT-Netze)
Frequenz	50 ... 60 Hz +/- 5%
Kurzschlussleistung	Alle FU sind für den Einsatz in einem Stromkreis geeignet, der einen maximalen Kurzschlussstrom von 100 kA symmetrisch zur angegebenen maximalen Versorgungsspannung liefern kann, wenn sie durch Sicherungen der Klasse J geschützt sind.

Mechanische Installationsanforderungen

Alle Frequenzumrichtereinheiten sind für den Einbau in kontrollierten Umgebungen vorgesehen, die die im Abschnitt Technische Daten dieser Kurzanleitung angegebenen Grenzbedingungen erfüllen.

IP20-Frequenzumrichter sind für die Installation in einer Umgebung mit Verschmutzungsgrad 1 konzipiert. Wenn IP20-Einheiten in einer Umgebung mit einem höheren Verschmutzungsgrad installiert werden, muss der FU in einem Gehäuse installiert werden, das dem FU eine Umgebung mit einem Verschmutzungsgrad 1 bietet.

Anforderungen an elektrische Anschlüsse

Die Auswahl geeigneter Strom- und Motorkabel sollte gemäß den Angaben im Abschnitt Technische Daten dieser Kurzanleitung und dem „National Electrical Code“ (NEC, USA) oder anderen gültigen örtlichen Bestimmungen erfolgen.

Ein Motorkabel aus Kupferdraht, ausgelegt für mindestens 75°C, ist zu verwenden.

Der integrierte Halbleiter-Kurzschlusschutz bietet keinen Leitungsschutz. Der Leitungsschutz muss gemäß dem „National Electrical Code“ (NEC, USA) oder anderen zusätzlichen örtlichen Regelungen bereitgestellt werden. Die entsprechenden Nennwerte sind im Abschnitt Technische Daten dieser Kurzanleitung angegeben.

Bei Installationen in Kanada muss auf der Versorgungsseite dieser Ausrüstung eine Unterdrückung transienter Überspannungen eingebaut sein, die eine Nennspannung von 480 V (Phase zu Erdung) und 480 V (Phase zu Phase) aufweist, die für Überspannungen der Kategorie III geeignet ist und Schutz gegen einen Stoßspannungsspitzenwert von 2,5 kV bietet.

Bei allen Stromschienen- und Erdungsanschlüssen müssen UL-gelistete Ringklemmen/-schuhe verwendet werden.



WARNUNG

Das Auslösen einer Schutzeinrichtung kann darauf hinweisen, dass dies durch einen Fehler verursacht wurde. Zur Verringerung der Brandgefahr oder der Gefahr eines Stromschlags sollten stromführende Teile sowie andere Bauteile der Steuerung überprüft und bei Beschädigung ausgetauscht werden. Brennt das stromführende Bauteil eines Überlastrelais durch, so muss das gesamte Überlastrelais ausgetauscht werden.



3.5 Elektromagnetische Verträglichkeit (EMV)

Es liegt in der Verantwortung des Installateurs sicherzustellen, dass das Gerät bzw. das System, in welches das Produkt eingebaut wird, den jeweiligen EMV-Normen des Landes entspricht. In der europäischen Union müssen Geräte, in die dieses Produkt eingebaut wird, der EMV-Richtlinie 2014/30/EU entsprechen. Wird der FU mit einem internen oder optionalen externen Filter verwendet, kann Konformität mit den folgenden EMV-Kategorien gemäß EN61800-3:2004 erzielt werden:

Größe des FU	Schutzart	Maximale Motorkabellänge		
		C1 ^①	C2	C3
M, N, O, P, Q	IP20	1 m	5 m	25 m
S	IP20	-	5 m	25 m

① Konformität wird nur mit der Kategorie C1 Leitungsgebundene Emissionen erzielt.

3.6 Safe Torque Off (Sicher abgeschaltetes Moment) (STO)

Die VARIPACK Frequenzumrichter sind standardmäßig mit einer Abschaltfunktion, dem sicher abgeschalteten Moment (STO) ausgestattet. Durch diese STO-Funktion kann auf den Hauptschutz vor oder nach dem Frequenzumrichter verzichtet werden.

Verantwortlichkeiten

Der Systemingenieur trägt die Verantwortung für die Risikobewertung des gesamten Systems, die Definition und Erfüllung der Anforderungen der Sicherheitsleittechnik, in die der Umrichter integriert wird, sowie die vollständige Verifizierung der Funktion. Vor der Inbetriebnahme des FU muss die STO-Funktion geprüft werden.

Der Systementwickler hat dazu eine umfassende Risiko- und Gefahrenanalyse zur Bestimmung möglicher Gefährdungen, der Risikokategorien sowie möglicher Maßnahmen zu deren Reduzierung durchzuführen. Die Beurteilung der STO-Funktion wird durchgeführt, um ihre Eignung für die jeweilige Risikokategorie zu gewährleisten.

Was die STO-Funktion bietet

Die STO-Funktion verhindert, dass durch den FU in Abwesenheit des STO-Eingangssignals (Anschluss 12 und 13) im Motor ein Drehmoment erzeugt wird. Dies ermöglicht die Integration des Geräts in ein umfassendes Sicherheitsleitsystem unter Erfüllung aller STO-Anforderungen.



WARNUNG

Die STO-Funktion verhindert keinen unerwarteten Wiederanlauf des Verdichters. Sobald der STO-Eingang das entsprechende Signal erhält, ist ein automatischer Wiederanlauf möglich. Folglich darf diese Funktion nicht zur Durchführung kurzfristiger, nicht elektrischer Arbeiten (wie z. B. Reinigungs- oder Wartungsarbeiten) verwendet werden.

Die STO-Funktion macht üblicherweise elektromechanische Schalter mit Hilfskontakten zur Gegenprüfung überflüssig, die normalerweise für solche Sicherheitsfunktionen notwendig sind.

Dieser FU ist standardmäßig mit der STO-Funktion versehen und erfüllt so die „Safe torque off“-Vorgabe gemäß IEC 61800-5-2:2016.

Die STO-Funktion entspricht außerdem einem unkontrollierten Stopp gemäß Kategorie 0 (Not-Aus) der Norm IEC 60204-1. Dies bedeutet, dass der Motor bei Aktivierung der STO-Funktion einen Leerlaufstopp durchführt. Diese Methode sollte auf ihre Eignung für das jeweilige System, das der Motor antreibt, geprüft werden.

Die STO-Funktion wird als „Failsafe“-Methode selbst dann angesehen, wenn kein STO-Signal anliegt und ein einzelner Fehler im FU aufgetreten ist. Die Eignung des FU hierfür wurde durch die Einhaltung der folgenden Sicherheitsnormen bestätigt:

EN 61800-5-2	
SIL (Safety Integrity Level = Sicherheitsintegritätslevel)	2
PFHD (Probability of dangerous Failures per Hour = Wahrscheinlichkeit eines gefährlichen Ausfalls pro Stunde)	1,23E-09 1/h (0,12% von SIL 2)
SFF (Safe failure fraction % = Sichere und ungefährliche Ausfälle %)	50
Erwartete Lebensdauer	20 Jahre

EN ISO 13849-1	
PL (Performance Level = Leistungsniveau)	PL d
CCF (%) (Common Cause Failure = Ausfall aufgrund gemeinsamer Ursache)	1
MTTFd	4525a
Kategorie	3

EN 62061	
SILCL	SILCL 2

Die oben genannten Werte können eventuell nicht realisiert werden, wenn die für den FU vorgeschriebenen Umgebungsbedingungen nicht eingehalten wurden.



WARNUNG

Vor Beginn jeglicher Arbeiten den FU spannungsfrei schalten. Die STO-Funktion schützt nicht vor Spannungen an den Stromanschlüssen des FU.

Bei Verwendung von Permanentmagnetmotoren und im unwahrscheinlichen Fall eines gleichzeitigen Defekts mehrerer Ausgangsleistungsbau- teile kann es sein, dass die Motorwelle effektiv um $180/p$ Grad rotiert (wobei p für die Anzahl der Motorpolpaare steht).

STO-Betrieb

Wenn der STO-Eingang bestromt ist, befindet sich die STO-Funktion im Ruhezustand. Erhält der FU dann einen Anlaufbefehl, erfolgen Verdichteranlauf und Betrieb normal.

Wenn der STO-Eingang nicht bestromt ist, wird die STO-Funktion aktiviert und stoppt den FU (Motor im Leerlauf). Der FU befindet sich dann im Modus „Safe Torque Off“.

STO-Status und Überwachung

FU-Anzeige:

Wenn der STO-Eingang im normalem FU-Betrieb (AC-Netzstrom liegt an, Verdichter läuft nicht) stromlos ist (STO-Funktion aktiviert), wird auf der FU-Anzeige die Meldung „INHIBIT“ angezeigt. Wurde eine Fehlerabschaltung des FU ausgelöst, wird anstelle von „INHIBIT“ eine entsprechende Meldung angezeigt. Wenn der STO-Eingang bestromt ist und auf dem Display weiterhin "INHIBIT" angezeigt wird, liegt ein Defekt des STO-Eingangs vor.

FU-Ausgangsrelais:

Wenn der STO-Eingang stromlos ist, öffnet das FU-Relais 1.

Fehlercode:

Fehlercode	Code Nummer	Beschreibung
STO-F	29	<ul style="list-style-type: none"> • Interner Fehler des Sicherheitseingangskreises. • Sicherheitskreis kurzzeitig geöffnet während der Antrieb läuft.

Ansprechzeit der STO-Funktion

Dies ist der Zeitraum vom Auftreten eines sicherheitsrelevanten Ereignisses bis zur Wiederherstellung des sicheren Zustands nach der Reaktion aller Komponenten. (Stopp-Kategorie 0 gemäß IEC 60204-1).

- Die Ansprechzeit vom stromlosen Zustand des STO-Eingangs bis zu einem Zustand des FU, bei dem kein Drehmoment im Motor generiert wird (STO aktiviert), beträgt weniger als 1 ms.
- Die Ansprechzeit vom stromlosen Zustand des STO-Eingangs bis zur Änderung des Überwachungsstatus beträgt weniger als 20 ms.
- Die Ansprechzeit von der Erkennung eines Fehlers im STO-Schaltkreis durch den FU bis zu seiner Anzeige über das Display/den Relaisausgang beträgt weniger als 20 ms.

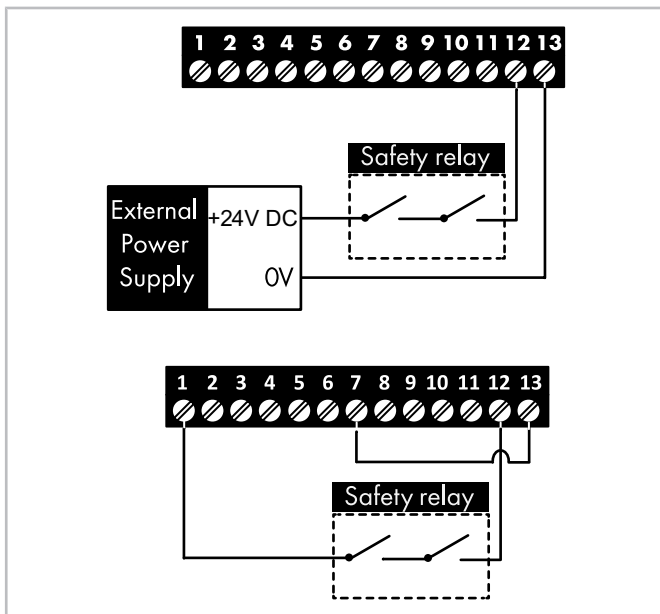
Elektrischer STO-Anschluss



WARNUNG

Die STO-Leitungen müssen vor unbeabsichtigten Kurzschlüssen oder Manipulationen, die zu einem Fehler des STO-Eingangssignals führen können, geschützt werden

Neben den unten stehenden Verbindungsanweisungen für den STO-Schaltkreis sollte auch die EMV-gerechte Installation beachtet werden. Der FU muss wie nachfolgend gezeigt angeschlossen werden. Die am STO-Eingang anliegende 24 V DC Signalspannung kann über die 24 V DC Versorgung des FU oder eine externe 24 V DC Stromversorgung bereitgestellt werden.



Information

Die maximale Kabellänge zwischen Spannungsquelle und Umrichteranschlüssen darf 25 Meter nicht übersteigen.

Spezifikationen für eine externe Stromversorgung

Nennspannung	24 V DC
STO-Logik Hoch	18 ... 30 V DC (STO im Standby)
Stromverbrauch (Maximum)	100 mA

Spezifikationen für das Sicherheitsrelais

Der Systementwickler ist dafür verantwortlich sicherzustellen, dass das gesamte System einer Risikobewertung unterzogen wird und dass die Anforderungen an die Sicherheitsleittechnik vollständig eingehalten wurden.

Ist ein Sicherheitsrelais erforderlich, so muss dieses so ausgewählt werden, dass es mindestens die Sicherheitsstandards des Umrichters erfüllt.

Standardanforderungen	SIL2 oder PLd SC3 oder höher (mit zwangsgeführten Kontakten)
Anzahl der Ausgangskontakte	2, unabhängig
Schaltspannungswert	30 V DC
Schaltstrom	100 mA

Testen der STO-Funktion

Die STO-Funktion muss vor einer Inbetriebnahme des Systems stets auf korrekte Funktion geprüft werden:

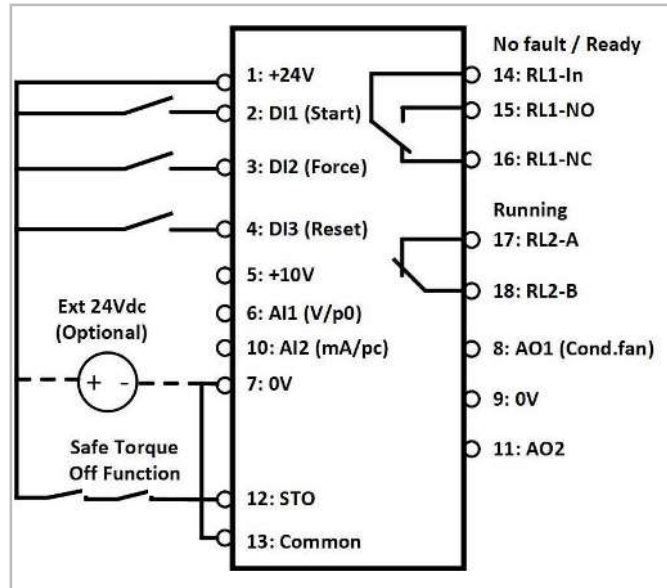
- Bei stillstehendem Motor und einem an den FU gesendeten Stoppbefehl:
 - STO-Eingang stromlos schalten (die FU-Anzeige zeigt „INHIBIT“ an).
 - Den Startbefehl geben und prüfen, ob der FU „INHIBIT“ anzeigt.
- Mit dem Verdichter im Normalbetrieb (über den FU):
 - STO-Eingang stromlos schalten (der Verdichter stoppt und die FU-Anzeige zeigt „STO-F“ an).

Die STO-Funktion muss Teil der routinemäßigen Wartung des Steuersystems sein und regelmäßig (mindestens einmal pro Jahr) sowie nach allen Änderungen am Sicherheitssystem oder Wartungsarbeiten geprüft werden.

3.7 Verkabelung der Steueranschlüsse

- Alle analogen Signalkabel müssen ausreichend abgeschirmt sein. Es werden Twisted-Pair Kabel empfohlen.
- Alle Strom- und Steuerkabel sind, wo möglich, getrennt und in keinem Fall parallel zu verlegen
- Für Signalpegel verschiedener Spannungen, z. B. 24 V DC und 230 V AC, darf nicht das gleiche Kabel verwendet werden.
- Durchmesser für die Kabeleinführung der Steuerleitung: 0,05 – 2,5 mm² / 30 – 12 AWG.

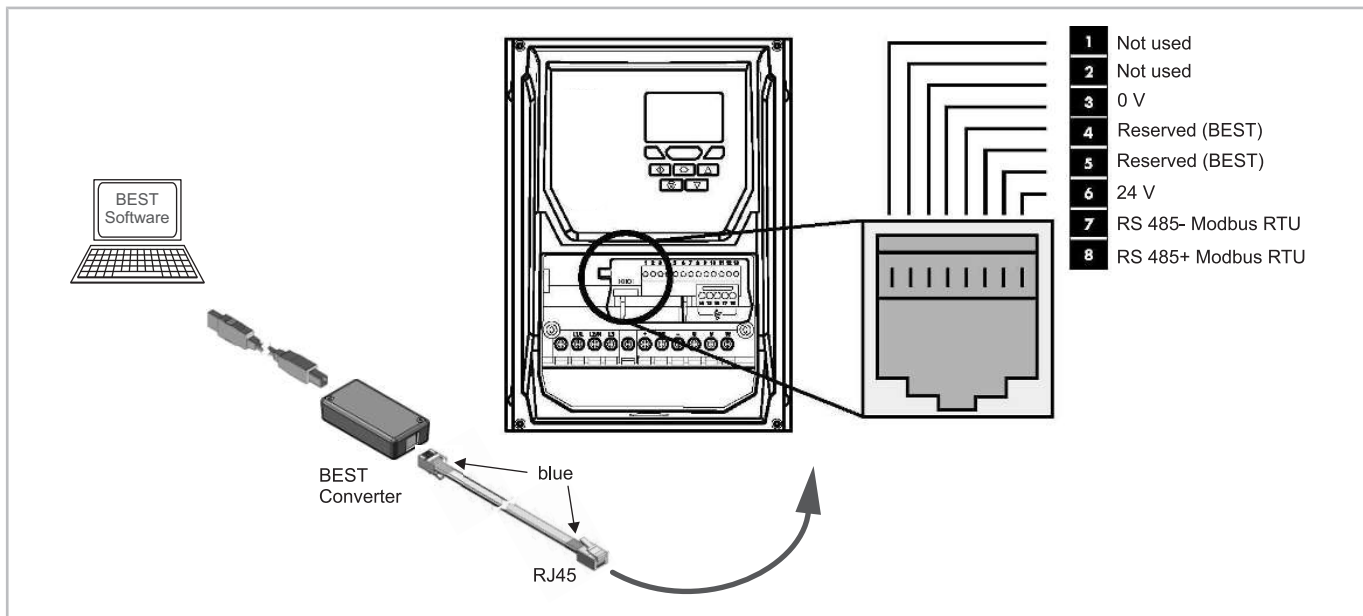
3.8 Verwendung der Steueranschlüsse



4 Inbetriebnahme

Kommunikation über BEST SOFTWARE

Den FU über den BEST Schnittstellenkonverter und das blau gekennzeichnete RJ45-Adapterkabel an einen PC anschließen.



HINWEIS

Hierbei handelt es sich nicht um eine Ethernet-Verbindung. Nicht direkt an eine Ethernetschnittstelle anschließen.



Information

Bei Verwendung des Modbus-RTU darauf achten, dass das Signal 0V (Pin 3) auch verwendet wird, um Kommunikationsfehler und potenziell schädigende Gleichtaktspannungen zu vermeiden.

Siehe BEST - VARIPACK Registerkarte Dokumentation - Modbus.

Kommunikation mit der BEST SOFTWARE für Windows herstellen (siehe Abbildung oben)

- FU muss unter Netzspannung stehen.
- Starten Sie die BEST SOFTWARE.
- Die Schaltfläche NEU anklicken.
- VARIPACK auswählen.
- Die Schaltfläche VERBINDEN anklicken.

Der Anschluss des VARIPACK-Frequenzumrichters am PC ist abgeschlossen.

VARIPACK konfigurieren

- Leistungsregelung des Verdichters in Abhängigkeit eines externen Sollwert-Signals:

- Die Schaltfläche KONFIGURATION anklicken.
- Den Parameter VERDICHTERTYP anklicken und den Verdichter, einschließlich des Motorcodes und der Motoranschlussart, auswählen
- Das entsprechende Kältemittel auswählen.
- Den "Analog-Sollwerteingang" (AI1: 0 .. 10 V / AI2: 4 .. 20 mA) auswählen.
- Die Sollwert-Steuercharakteristik "Min .. Max" oder "0 .. Max" auswählen.
- Auf den Parameter ÜBERTRAGEN klicken, auswählen und dann auf BENUTZEREINSTELLUNG ZUM GERÄT ÜBERTRAGEN klicken.

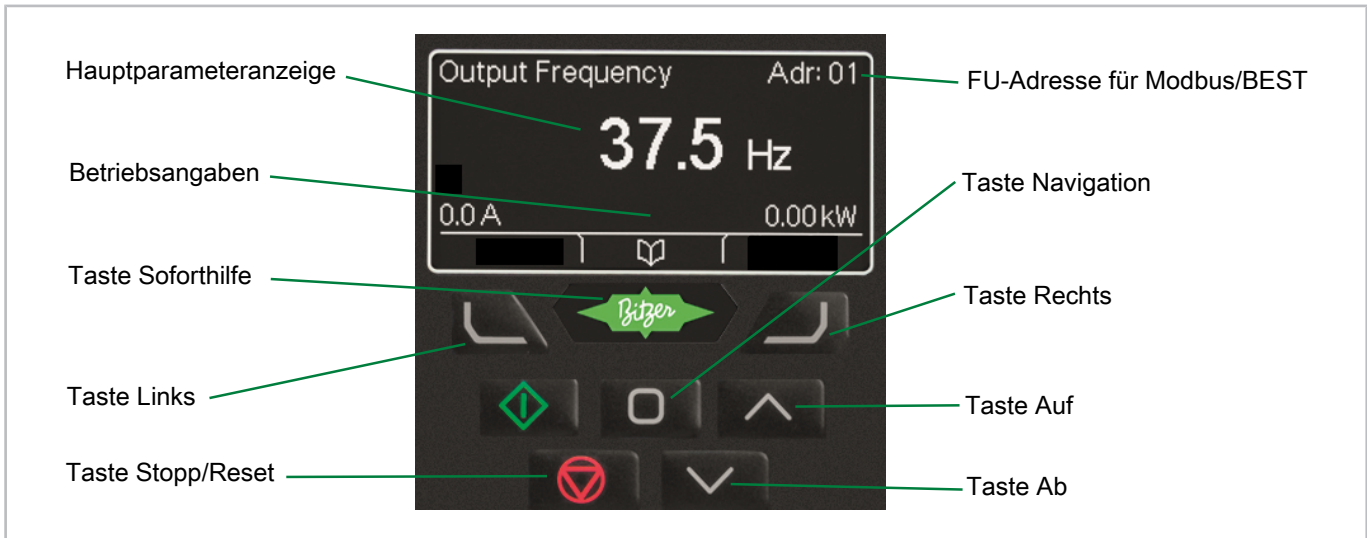
Die Basiskonfiguration ist damit abgeschlossen.

- Leistungsregelung des Verdichters in Abhängigkeit des Verdampfungsdrucks mit dem Erweiterungsmodul zur Druckregelung (Option, Teilenummer: 34797202):
 - Die gleiche Vorgehensweise wie oben.
 - Den Parameter BETRIEBSART anklicken und "Druckregelung" auswählen.
 - Falls nötig, die Temperatur- und Druckeinstellungen anpassen.
 - Den Parameter ÜBERTRAGEN klicken, auswählen und dann auf BENUTZEREINSTELLUNG ZUM GERÄT ÜBERTRAGEN klicken.

Die Basiskonfiguration ist damit abgeschlossen.

5 Betrieb

Einstellungen über das Tastenfeld



Hauptparameteranzeige Hier wird der aktuell ausgewählte Parameter angezeigt, z. B. Motorfrequenz, Motorstrom usw.

Betriebsangaben Anzeige der wichtigsten Betriebsangaben in Echtzeit, z. B. Ausgangsstrom und -leistung

Taste Soforthilfe: Hiermit kann auf eine Kurzbeschreibung der angezeigten Meldungen zugegriffen werden.

Taste Links: Der Cursor bewegt sich eine Stelle nach links.

Taste Stopp/Reset: Zum Entriegeln eines FU aus der Fehlerabschaltung.

FU-Adresse: Die in Parameter P5-01 eingestellte serielle Kommunikationsadresse des FU.

Taste Navigation: Hiermit werden Informationen in Echtzeit angezeigt, der Parametermodus aufgerufen und geschlossen sowie Parameteränderungen gespeichert.

Taste Rechts: Der Cursor bewegt sich eine Stelle nach rechts.

Taste Auf Hiermit werden die Parameterwerte im Modus Parameterbearbeitung erhöht.

Taste Ab: Hiermit werden die Parameterwerte im Modus Parameterbearbeitung abgesenkt.

Sprachauswahl

INHIBIT	Display Setting	Select Language	Select Language
	<p>► Select Language Adjust bightness Display version & che</p>	<p>Español Deutsch English</p>	<p>Español ► Deutsch English</p>
<p>Die BITZER-Taste > 1 Sekunde lang gedrückt halten</p>	<p>Die BITZER-Taste < 1 Sekunde lang drücken</p>	<p>Mit den Tasten Auf und Ab die Sprache auswählen</p>	<p>Mit der Taste Navigation bestätigen</p>

Parameter ändern

Stop	P1-01	P1-01	30.0 \updownarrow	30.0 \updownarrow
15kW 400V 3Ph	50.0Hz	50.0Hz	\uparrow 30.0 \downarrow 3.0	\uparrow 30.0 \downarrow 3.0
Die Taste Navigation > 2 Sekunden lang gedrückt halten	Mit den Tasten Auf und Ab den erforderl. Parameter auswählen	Die Taste Navigation < 1 Sekunde lang drücken	Den Wert mit den Tasten Auf und Ab anpassen	Der Cursor bewegt sich eine Stelle nach links.

P1-08	Stop
30.0A	15kW 400V 3Ph
Durch Drücken der Taste Navigation < 1 Sekunde lang gelangen Sie wieder in das Menü Parameter	Durch Drücken der Taste Navigation > 2 Sekunden lang gelangen Sie wieder in die Betriebsanzeige

Auswahl der Parametergruppen

Zur Aktivierung des Zugriffs auf erweiterte Parameter in Parameter P1-14 das Passwort „8670“ eingeben. Dadurch werden zusätzliche Parametergruppen sichtbar und können nach folgendem Verfahren schnell ausgewählt werden.

P1-01	P2-01
50.0Hz	5.0Hz
Während Sie sich im Auswahlmenü Parameter befinden, die Tasten Navigation und Auf oder Navigation und Ab gleichzeitig drücken.	Dadurch wird die nächst höhere bzw. niedrigere zugängliche Parametergruppe ausgewählt.

Parametergruppen

- P0 - Überwachung
- P1 - Verdichtersteuerung (Betriebsfrequenz, Rampen, Steuerungsart und Benutzerzugriffsebene)
- P2 - Verschiedenes und Resonanzvermeidung
- P3 - Druck-/Temperatursteuerung
- P5 - Kommunikation Modbus-RTU
- P8 - Verbundsteuerung (2. Verdichter)

6 Technische Daten

380 ... 480 V (+/- 10%), 3-Phaseneingang, 3-Phasenausgang

Größe des FU	Nennleistung		Eingangstrom	Sicherung / MCB (Typ B)		Maximale Kabelgröße		Nenn-Ausgangsstrom
	kW	HP		A	nicht UL-konform	UL	mm ²	
FMU+6-4	2,2	3	4,8	6	6	8	8	5,8
FMU+10-4	4	5	8,2	10	10	8	8	9,5
FNU+14-4	5,5	7,5	11,5	16	15	8	8	14
FNU+18-4	7,5	10	15,7	25	20	8	8	18
FNU+24-4	11	15	21,3	32	30	8	8	24
FOU+30-4	15	20	25	32	30	16	8	30
FOU+39-4	18,5	25	32,8	50	40	16	5	39
FOU+46-4	22	30	39,3	50	50	16	5	46
FPU+61-4	30	40	52,3	63	70	35	5	61
FPU+72-4	37	50	62,5	80	80	35	2	72
FPU+90-4	45	60	79,5	100	100	35	2	90
FQU+110-4	55	75	102,2	125	FWP-125A	150	300MCM	110
FQU+150-4	75	100	138,2	200	FWP-175A	150	300MCM	150
FQU+180-4	90	150	167,4	250	FWP-225A	150	300MCM	180
FQU+202-4	110	175	189,8	250	FWP-250A	150	300MCM	202
FSU+370-4	200	200	377,2	500	500	240	450MCM	370
FSU+480-4	250	250	458,7	600	600	240	450MCM	480



Information

Die angezeigten Kabelgrößen sind die maximal möglichen, die an den FU angeschlossen werden können. Die Kabel gemäß den Vorschriften am Einbauort auswählen.

Umgebung

- Umgebungstemperaturbereich Lagerung: -40 ... 60°C
- Umgebungstemperaturbereich Betrieb: -10 ... 50°C
FU-Größe FPU+90:
> 35°C: Derating: 1,1% pro °C
- Maximale Höhe über NHN: 4000 m
> 1000 m: Derating: 1% pro 100 m
- Relative Luftfeuchtigkeit: 95%, nicht kondensierend
- Vorgesehen für den Betrieb in Umgebungen vom Typ 3S2/3C2 gemäß IEC 60721-3-3

Sommaire

1 Sécurité	24
2 Montage	24
2.1 Espace libre et couples de serrage	24
3 Connexion électrique	25
3.1 Disjoncteurs différentiels à courant résiduel (disjoncteurs RCD ou FI)	25
3.2 Sélection des câbles	25
3.3 Câblage	25
3.4 Informations relatives à la conformité UL	25
3.5 Compatibilité électromagnétique (CEM)	26
3.6 Désactivation sûre du couple (STO)	26
3.7 Câblage des bornes du contrôleur	29
3.8 Utilisation des bornes du contrôleur	29
4 Mise en service	30
5 Commande	31
6 Caractéristiques techniques	33

1 Sécurité

Le présent guide ne fournit pas d'instructions détaillées sur l'installation, la sécurité ou le fonctionnement. Consulter les instructions de service CB-110 pour des informations complètes.

Consulter le site web de BITZER ou scanner le QR code pour accéder aux instructions de service complètes :



ATTENTION

En fonctionnement, le dissipateur de chaleur du convertisseur de fréquences devient chaud. Risque de brûlures en cas de contact ! Avant tout travail sur le convertisseur de fréquences, couper l'alimentation électrique et attendre au moins 15 minutes que le dissipateur de chaleur ait refroidi.



DANGER

Une mise à la terre incorrecte ou insuffisante peut, en cas de contact avec le convertisseur de fréquences, causer des chocs électriques extrêmement dangereux ! Mettre le convertisseur de fréquences complet à la terre de façon permanente et contrôler régulièrement les contacts de terre ! Avant chaque intervention sur l'appareil, contrôler si l'ensemble des raccordements de tension est correctement isolé !



DANGER

Tensions très dangereuses à l'intérieur du corps du convertisseur de fréquences !



Tout contact peut provoquer des blessures graves ou la mort.

Ne jamais ouvrir le corps du CF en cours de fonctionnement ! Mettre l'interrupteur principal hors circuit et le sécuriser contre toute remise en marche.

Attendre au moins 10 minutes jusqu'à ce que tous les condensateurs soient déchargés ! Avant la remise en marche, fermer le corps du CF.



AVIS

Risque de défaillance du convertisseur de fréquences due à une surtension !

Déconnecter toujours le convertisseur de fréquences du circuit à tester avant les essais de haute tension ou les essais d'isolation des câbles pendant le fonctionnement !

2 Montage

- Les unités IP20 sont conçues pour être installées dans une armoire électrique.
- Le convertisseur de fréquences ne peut être monté qu'en position verticale.
- L'emplacement de montage sélectionné doit correspondre aux caractéristiques techniques du CF.
- L'emplacement de montage doit être exempt de vibrations.



Information

Si la durée de stockage du CF (série FQU) dépasse 2 ans, les condensateurs de liaison CC doivent être reformés.

Pour de plus amples informations, voir les instructions de service CB-110.

2.1 Espace libre et couples de serrage

Dégagement pour le montage :

Taille du CF	Vers le haut et le bas	Sur chaque côté
M, N	100 mm	10 mm
O, P, Q	200 mm	25 mm
S	350 mm	50 mm

i

Information

La perte de chaleur d'un CF s'élève normalement à env. 2% de la charge de service. Les informations ci-dessus ne servent que de référence et les températures ambiantes du CF doivent être respectées à tout moment.

Couples de serrage :

Taille du CF	Raccordements de commande	Raccordements de puissance
M	0,5 Nm	0,8 Nm
N	0,5 Nm	0,8 Nm
O	0,5 Nm	2 Nm
P	0,5 Nm	4 Nm
Q	0,5 Nm	15 Nm
S	0,5 Nm	57 Nm

3 Connexion électrique

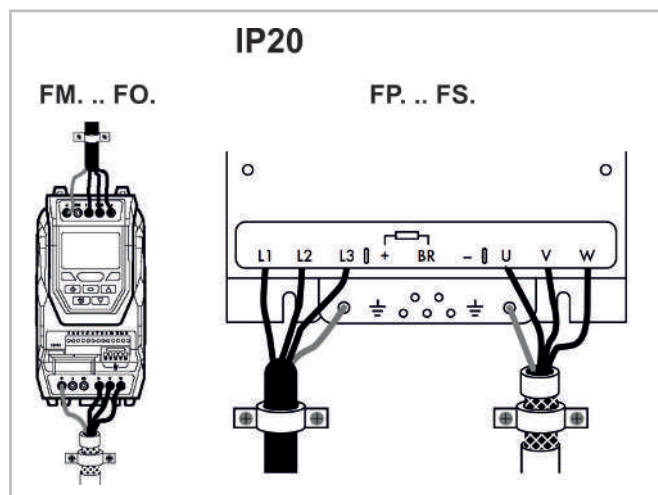
3.1 Disjoncteurs différentiels à courant résiduel (disjoncteurs RCD ou FI)

- N'utiliser qu'un disjoncteur FI (RCD) de type B sensible à tous les courants qui soit également capable de détecter les courants continus résiduels.
- Prévoir un RCD distinct pour chaque CF en fonction de la configuration du système et des conditions environnementales.

3.2 Sélection des câbles

- Raccordement des câbles d'alimentation en tension aux bornes L1, L2, L3 et à la borne du conducteur de protection. L'ordre des phases n'est pas important.
- Respecter les exigences CEM, voir la documentation en ligne CB-110.
- Les dimensions des câbles doivent correspondre aux prescriptions de sécurité locales. Les dimensions maximales sont indiquées dans la section Caractéristiques techniques.

3.3 Câblage



3.4 Informations relatives à la conformité UL

La conception du convertisseur de fréquences correspond aux exigences UL. Vous trouverez une liste actuelle de produits conformes aux normes UL dans le fichier UL NMMS E475976. Pour garantir une conformité intégrale, les points suivants doivent être pleinement respectés.

Exigences relatives au courant d'entrée

Tension d'alimentation	380 ... 480 V +/- 10% (réseaux TN et TT)
Fréquence	50 ... 60 Hz +/- 5%
Puissance de court-circuit	S'ils sont protégés par des fusibles de la classe J, tous les CF conviennent à l'utilisation dans un circuit pouvant fournir un courant de court-circuit maximal de 100 kA symétrique à la tension d'alimentation maximale indiquée.

Exigences mécaniques relatives à l'installation

Toutes les unités de convertisseur de fréquences sont destinées à être installées dans un environnement contrôlé correspondant aux conditions limites spécifiées dans la section Caractéristiques techniques de cette notice succincte.

Les convertisseurs de fréquences IP20 sont conçus pour être installés dans des environnements avec un degré de pollution 1. Si les unités IP20 sont installées dans un environnement avec un degré de pollution plus élevé, le CF doit être installé dans un corps pouvant assurer au CF un environnement avec un degré de pollution 1.

Exigences relatives au raccordement électrique

Les câbles de courant et de moteur appropriés doivent être sélectionnés selon les informations dans la section Caractéristiques techniques de cette notice succincte et du code national électrique des États-Unis (National Electrical Code (NEC), USA) ou d'autres réglementations locales en vigueur.

Il faut utiliser un câble de moteur en fils de cuivre, conçu pour au moins 75°C.

La protection contre les courts-circuits intégrée par semi-conducteur n'offre aucune protection de ligne. La protection de ligne doit être mise à disposition selon le « National Electrical Code » (NEC, USA) ou d'autres réglementations locales supplémentaires. Les valeurs nominales correspondantes sont indiquées dans la section Caractéristiques techniques de cette notice succincte.

Pour les installations au Canada, un dispositif de suppression des surtensions transitoires d'une valeur nominale de 480 V (phase à la terre) et de 480 V (phase à phase) doit être mis en place côté alimentation ; ce dispositif doit être adapté aux surtensions de catégorie III et offrir une protection contre une pointe de tension de 2,5 kV.

Des cosses de câbles annulaires homologuées UL doivent être utilisées pour toutes les connexions de barres conductrices et de mise à la terre.



AVERTISSEMENT

Le déclenchement d'un dispositif de protection peut indiquer qu'il a été provoqué par un défaut. Pour réduire le risque d'incendie ou le risque d'un choc électrique, les composants conducteurs et les autres composants de la commande doivent être contrôlés et remplacés en cas d'endommagement. Lorsque le composant conducteur d'un relais de surcharge claqué, le relais de surcharge entier doit être remplacé.



3.5 Compatibilité électromagnétique (CEM)

L'installateur doit assurer que le dispositif ou le système dans lequel le produit est installé correspond aux normes CEI du pays respectif. Dans l'Union Européenne, les dispositifs dans lesquels ce produit est installé doivent correspondre à la directive CEM 2014/30/UE. Si le CF est utilisé avec un filtre interne ou un filtre optionnel externe, une conformité avec les catégories CEM suivantes selon EN61800-3:2004 peut être atteinte :

Taille du CF	Degré de protection	Longueur maximale du câble moteur		
		C1 ^①	C2	C3
M, N, O, P, Q	IP20	1 m	5 m	25 m
S	IP20	-	5 m	25 m

① la conformité n'est atteinte qu'avec les émissions conduites de la catégorie C1

3.6 Désactivation sûre du couple (STO)

Les convertisseurs de fréquences VARIPACK sont équipés en version standard d'une fonction d'arrêt, la fonction de désactivation sûre du couple (STO). La fonction STO permet de se passer du contacteur principal en amont ou en aval du convertisseur de fréquences.

Responsabilités

L'ingénieur système est responsable de l'évaluation des risques pour l'ensemble du système, de la définition et du respect des exigences du système de gestion technique de sécurité intégrant le convertisseur de fréquences ainsi que de la vérification complète de la fonction de sécurité. La fonction STO doit être vérifiée avant la mise en service du CF.

À cette fin, le concepteur du système doit effectuer une analyse complète des risques et des dangers afin de déterminer les risques potentiels, les catégories de risques et les mesures possibles pour les réduire. La fonction STO est évaluée pour s'assurer de son adéquation avec la catégorie de risque en question.

Bénéfices de la fonction STO

La fonction STO empêche le moment de force d'être généré dans le moteur par le convertisseur en l'absence du signal d'entrée STO (bornes 12 et 13). Cela permet d'intégrer le dispositif dans un système de gestion de sécurité complet tout en respectant toutes les exigences de la fonction STO.



AVERTISSEMENT

La fonction STO n'empêche pas un redémarrage inattendu du compresseur. Le redémarrage automatique devient possible au moment où l'entrée STO reçoit le signal correspondant. Cette fonction ne doit donc pas être utilisée pour effectuer des travaux non électriques de courte durée (tels que les travaux de nettoyage ou de maintenance).

La fonction STO élimine généralement le besoin d'interrupteurs électromécaniques combinés à des contacts auxiliaires pour vérification, ce qui est normalement nécessaire pour de telles fonctions de sécurité.

Ce CF est équipé en standard de la fonction STO, répondant ainsi à l'exigence de « désactivation sûre du couple » prescrite par la norme IEC 61800-5-2:2016.

La fonction STO correspond également à un arrêt non contrôlé conformément à la catégorie 0 (arrêt d'urgence) définie dans la norme IEC 60204-1. Cela signifie que le moteur effectue un arrêt au ralenti lorsque la fonction STO est activée. Il convient de vérifier que cette méthode est adaptée au système particulier entraîné par le moteur.

La fonction STO est considérée comme une méthode infallible même lorsqu'aucun signal STO n'est présent et qu'un seul défaut s'est produit dans le convertisseur. L'adéquation du CF avec cette méthode est confirmée par le respect des normes de sécurité suivantes :

EN 61800-5-2	
SIL (Safety Integrity Level = niveau d'intégrité de sécurité)	2
PFHD (Probability of dangerous Failures per Hour = Probabilité de défaillance dangereuse par heure)	1,23E-09 1/h (0,12% de SIL 2)
SFF (Safe failure fraction % = Proportion de défaillances en sécurité %)	50
Durée de service attendue	20 ans

EN ISO 13849-1	
PL (Performance Level = niveau de performance)	PL d
CCF (%) (Common Cause Failure = Défaillance de cause commune)	1
MTTFd	4525a
Catégorie	3

EN 62061	
SILCL	SILCL 2

Il se peut que les valeurs ci-dessus ne soient pas atteintes si les conditions environnementales spécifiées pour le CF ne sont pas respectées.



AVERTISSEMENT

Couper l'alimentation électrique avant toute intervention sur le CF. La fonction STO ne protège pas contre les tensions au niveau des connecteurs d'alimentation du CF.

Lors de l'utilisation de moteurs à aimant permanent, et dans le cas peu probable où plusieurs dispositifs de puissance de sortie tomberaient en panne simultanément, l'arbre du moteur peut effectivement tourner de 180/p degrés (« p » étant le nombre de paires de pôles du moteur).

Fonctionnement STO

Lorsque l'entrée STO est alimentée, la fonction STO est à l'état de repos. Si le CF reçoit ensuite une commande de démarrage, le compresseur démarre et fonctionne normalement.

Lorsque l'entrée STO n'est pas alimentée, la fonction STO est activée et arrête le CF (moteur en marche à vide). Le CF se trouve alors en mode « Safe Torque Off » ou « désactivation sûre du couple ».

État et surveillance de la fonction STO

Affichage CF :

Si l'entrée STO est hors tension (fonction STO activée) en fonctionnement normal du CF (alimenté en courant alternatif secteur, compresseur non en marche), le message « INHIBIT » est affiché sur l'écran du CF. Si le CF s'est mis en sécurité suite à un problème, un message correspondant s'affiche à la place de « INHIBIT ». Si l'entrée STO est énergisée et que l'affichage indique toujours "INHIBIT", il y a un défaut dans l'entrée STO.

Relais de sortie du CF :

Si l'entrée STO est hors tension, le relais 1 du CF s'ouvre.

Code d'erreur :


Code d'erreur	Numéro de code	Description
STO-F	29	<ul style="list-style-type: none"> Le circuit de sécurité s'est ouvert pendant le fonctionnement. Erreur interne du circuit de sécurité d'entrée.

Temps de réponse de la fonction STO

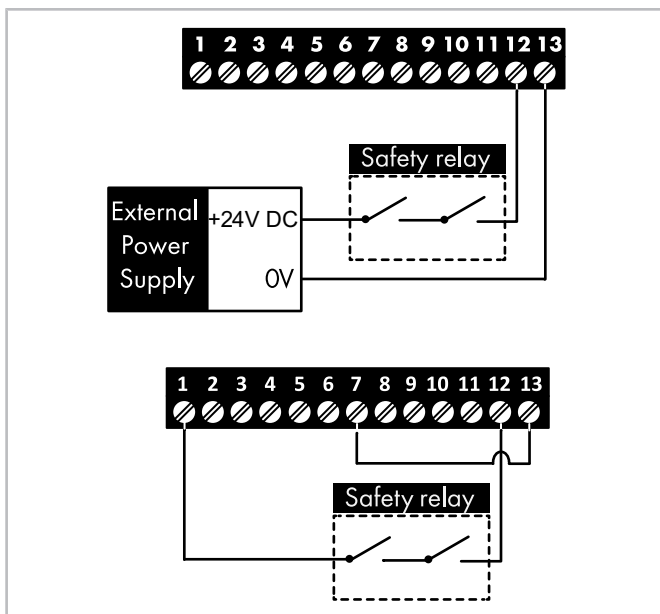
Il s'agit là du délai entre l'apparition d'un événement pertinent pour la sécurité et le rétablissement de l'état de sécurité après la réaction de tous les composants. (Catégorie d'arrêt 0 selon IEC 60204-1).

- Le temps de réponse entre l'état hors tension de l'entrée STO et un état du CF où aucun moment de force n'est généré dans le moteur (STO activé) est inférieur à 1 ms.
- Le temps de réponse entre l'état hors tension de l'entrée STO et le changement d'état de surveillance est inférieur à 20 ms.
- Le temps de réponse entre la détection d'un défaut dans le circuit STO par le CF et la signalisation du défaut via l'affichage/le relais de sortie est inférieur à 20 ms.

Raccordement électrique du circuit STO

AVERTISSEMENT
 Les lignes du circuit STO doivent être protégées contre les courts-circuits involontaires ou toute manipulation qui pourrait entraîner une erreur du signal d'entrée STO.

Outre les instructions de connexion du circuit STO figurant ci-dessous, il convient également de respecter une installation conforme aux exigences CEM. Le CF doit être raccordé comme indiqué ci-dessous. La tension du signal (24 V CC) appliquée à l'entrée STO peut être fournie par l'alimentation 24 V CC du CF ou par une alimentation 24 V CC externe.



Information

i La longueur maximale du câble entre la source de tension et les bornes du convertisseur ne doit pas dépasser 25 mètres.

Spécifications pour une alimentation électrique externe

Tension nominale	24 V CC
Logique STO « état haut »	18 ... 30 V CC (STO en mode veille)
Consommation électrique (maximum)	100 mA

Spécifications pour le relais de sécurité

Le concepteur du système doit s'assurer que l'ensemble du système a fait l'objet d'une évaluation des risques et que les exigences en matière de gestion de la sécurité ont été pleinement respectées.

Si un relais de sécurité est nécessaire, celui-ci doit être sélectionné de sorte à répondre au moins aux normes de sécurité du convertisseur.

Exigences standard	SIL2 ou PLd SC3 ou niveaux de sécurité supérieurs (avec des contacts à guidage forcé)
Nombre de contacts de sortie	2, indépendant
Tension de commutation	30 V CC
Courant de commutation	100 mA

Test de la fonction STO

Le bon fonctionnement de la fonction STO doit toujours être vérifié avant la mise en service du système :

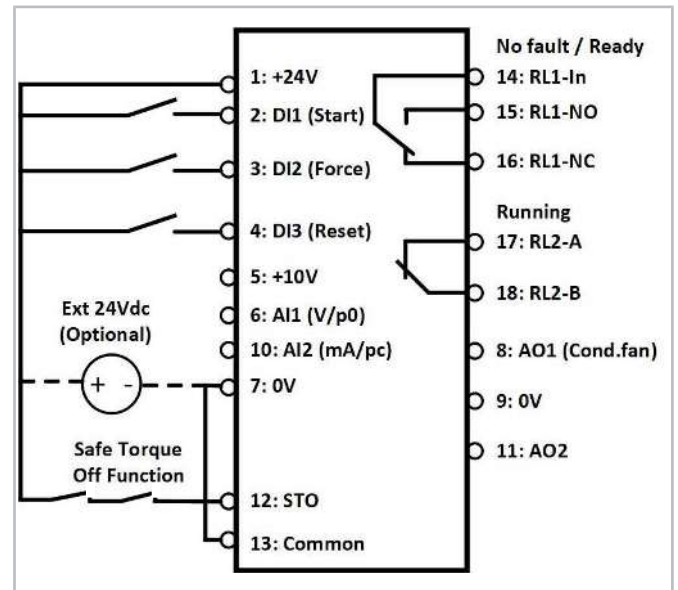
- Avec le moteur arrêté et une commande d'arrêt envoyée au CF :
 - Mettre hors tension l'entrée STO (le CF affiche « INHIBIT »).
 - Donner la commande de démarrage et vérifier que le CF affiche « INHIBIT ».
- Avec le compresseur en opération normale (via le CF) :
 - Mettre hors tension l'entrée STO (le compresseur s'arrête et le CF affiche « STO-F »).

La fonction STO doit faire partie de la maintenance de routine du système de commande et doit être vérifiée régulièrement (au moins une fois par an) et après toute modification apportée au système de sécurité ou après des travaux de maintenance.

3.7 Câblage des bornes du contrôleur

- Tous les câbles de signaux analogiques doivent être blindés de manière appropriée. Il est recommandé d'utiliser des câbles à paires torsadés.
- Les câbles d'alimentation et les câbles de signal doivent être posés séparément si possible et ne doivent pas être posés en parallèle.
- Les niveaux de signal des différentes tensions par ex. 24 V CC et 230 V CA ne doivent pas être posés dans le même câble.
- Taille du conducteur d'entrée du câble de contrôle : 0,05 – 2,5 mm² / 30 – 12 AWG.

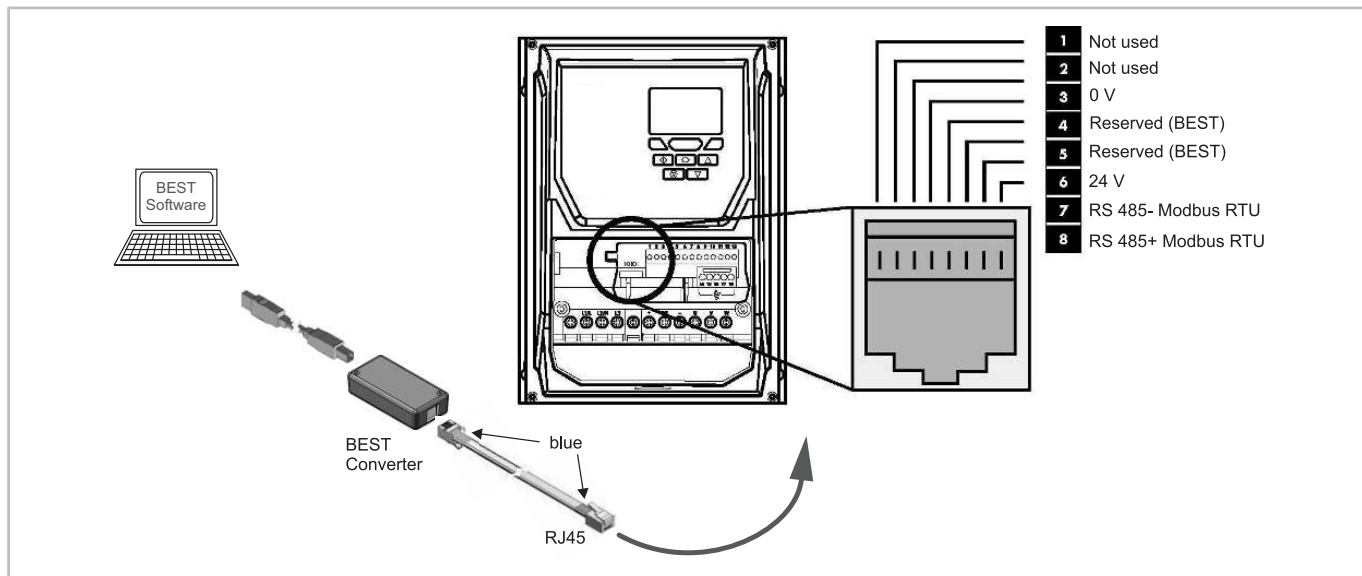
3.8 Utilisation des bornes du contrôleur



4 Mise en service

Communication via BEST SOFTWARE

Raccorder le CF à un PC via le convertisseur d'interface BEST et le câble adaptateur RJ45 marqué en bleu.



AVIS

Il ne s'agit pas d'une connexion Ethernet. Ne pas le raccorder directement à une interface Ethernet.



Information

Si le Modbus RTU est utilisé, s'assurer que le signal 0V (broche 3) est également utilisé pour éviter les erreurs de communication et les tensions de mode commun potentiellement nuisibles.

Voir BEST SOFTWARE, onglet VARIPACK, documentation Modbus

Établir la communication avec BEST SOFTWARE pour Windows (voir figure ci-dessus)

- Le CF doit être sous tension de réseau.
- Démarrer BEST SOFTWARE.
- Cliquer sur le bouton NOUVEAU.
- Sélectionner le VARIPACK.
- Cliquer sur le bouton CONNECTER.

La connexion du convertisseur de fréquences VARIPACK au PC est terminée.

Configurer le VARIPACK

- Régulation de la puissance du compresseur en fonction d'un signal de valeur de consigne externe :
 - Cliquer sur le bouton CONFIGURATION.

- Cliquer sur le paramètre TYPE DE COMPRESSEUR et sélectionner le compresseur avec le code moteur et le câblage moteur.
- Sélectionner le fluide frigorigène adéquat.
- Sélectionner l'entrée analogique de la valeur de consigne (AI1 : 0 .. 10 V / AI2 : 4 .. 20 mA).
- Sélectionner la caractéristique de commande de la valeur de consigne « Min .. Max » ou « 0 .. Max ».
- Appuyer sur le bouton TRANSFÉRER et sélectionner TRANSFÉRER LES PARAMÈTRES UTILISATEUR VERS LE PÉRIPHÉRIQUE.

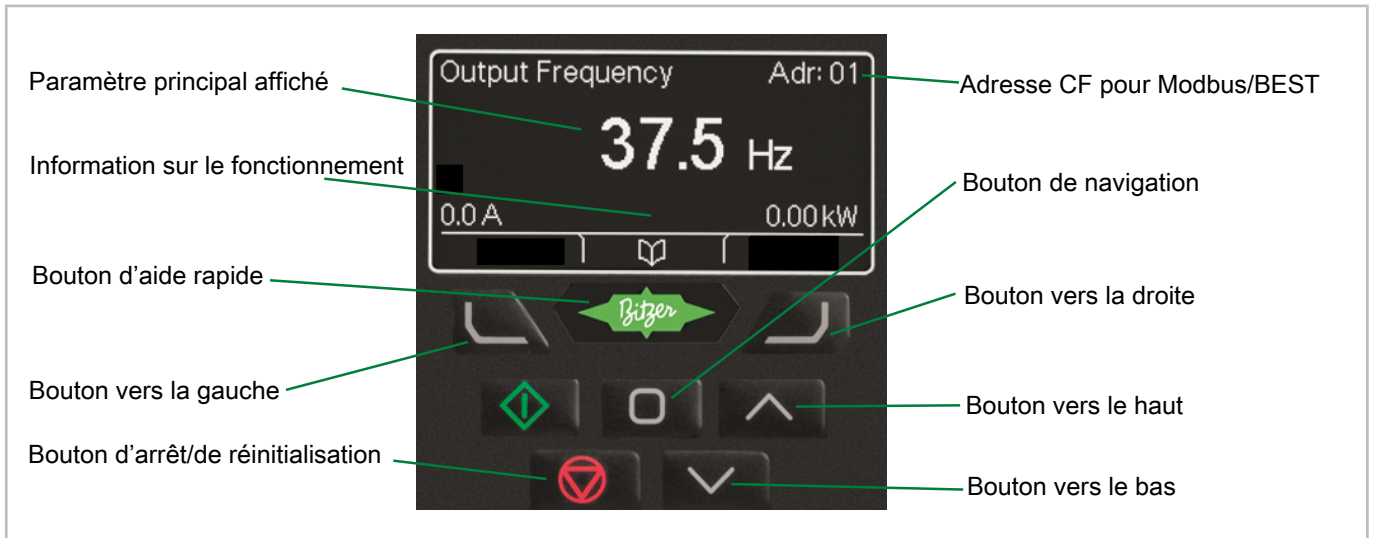
Cela achève la configuration de base.

- Régulation de la puissance du compresseur en fonction de la pression d'évaporation avec le module d'extension pour la régulation de la pression (option) :
 - Procéder comme décrit ci-dessus.
 - Cliquer sur le bouton MODE DE FONCTIONNEMENT et sélectionner « Régulation de pression ».
 - Si nécessaire, ajuster les réglages de température et de pression.
 - Cliquer sur TRANSFÉRER, sélectionner les paramètres, puis cliquer sur TRANSFÉRER LES PARAMÈTRES UTILISATEUR AU DISPOSITIF.

Cela achève la configuration de base.

5 Commande

Réglage via le clavier



Affichage du paramètre principal : ce champ affiche le paramètre actuellement sélectionné, par exemple la fréquence du moteur, le courant du moteur, etc.

Données de fonctionnement : affichage des principales données de fonctionnement en temps réel, par exemple le courant de sortie et la puissance de sortie.

Bouton d'aide rapide : cette fonction permet d'accéder à une brève description des messages affichés.

Bouton vers la gauche : le curseur se déplace d'une position vers la gauche.

Bouton d'arrêt/de réinitialisation : utilisé pour réinitialiser un CF arrêté suite à un défaut.

Adresse CF : adresse de communication sériele du CF définie dans le paramètre P5-01.

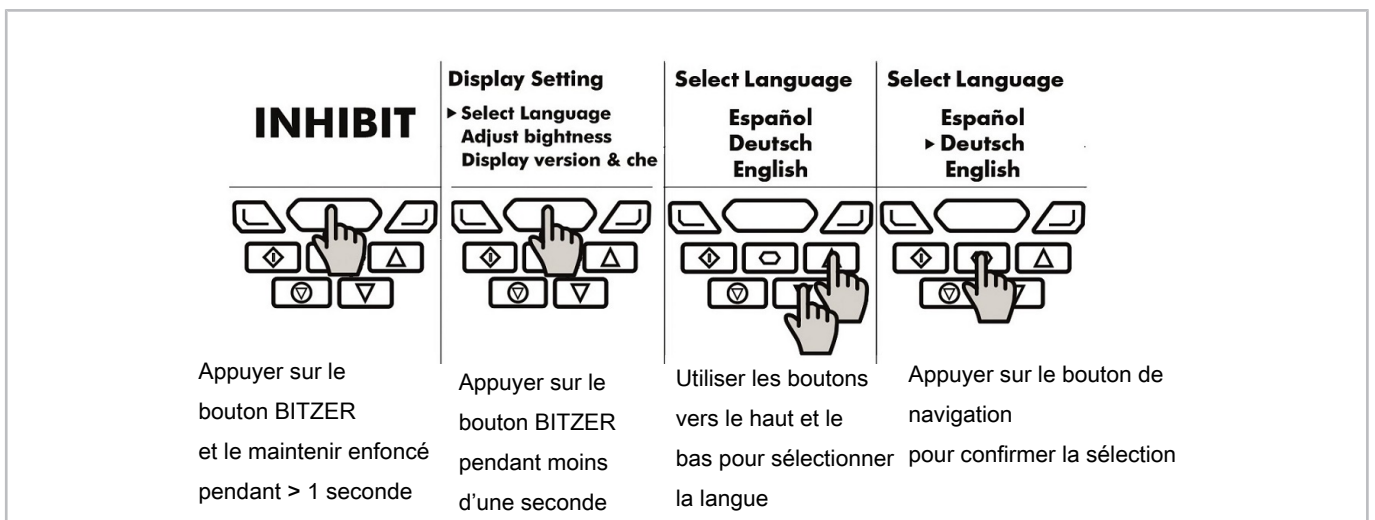
Bouton de navigation : permet d'afficher des informations en temps réel, d'accéder au mode paramètres et d'en sortir ainsi que de sauvegarder les modifications des paramètres.

Bouton vers la droite : le curseur se déplace d'une position vers la droite.

Bouton vers le haut : utilisé pour augmenter les valeurs des paramètres dans le mode de configuration des paramètres.

Bouton vers le bas : utilisé pour diminuer les valeurs des paramètres dans le mode de configuration des paramètres.

Sélection de langue



Modification des paramètres

Stop	P1-01	P1-01	30.0 \updownarrow	30.0 \updownarrow
15kW 400V 3Ph	50.0Hz	50.0Hz	↑30.0 ↓3.0	↑30.0 ↓3.0
Appuyer sur le bouton de navigation et le maintenir enfoncé pendant > 2 secondes	Utiliser les boutons vers le haut et le bas pour sélectionner le paramètre requis	Appuyer sur le bouton de navigation pendant moins d'une seconde	Ajuster la valeur en utilisant les boutons vers le haut et le bas	Le curseur se déplace d'une position vers la gauche

P1-08	Stop
30.0A	15kW 400V 3Ph
Appuyer sur le bouton de navigation pendant moins d'une seconde pour revenir au menu des paramètres	Appuyer sur le bouton de navigation pendant > 2 secondes pour revenir à l'écran de fonctionnement

Sélection des groupes de paramètres

Saisir le mot de passe « 8670 » au niveau du paramètre P1-14 pour permettre l'accès aux paramètres avancés. Cela rend visibles des groupes de paramètres supplémentaires qui peuvent être rapidement sélectionnés selon la procédure suivante.

P1-01	P2-01
50.0Hz	5.0Hz
Lorsque vous êtes dans le menu de sélection des paramètres, appuyez en même temps sur les boutons de navigation et bouton vers le bas ou sur le bouton de navigation et bouton vers le bas.	Le prochain groupe de paramètres supérieur ou inférieur est sélectionné

Groupes de paramètres

- P0 - Contrôle
- P1 - Commande du compresseur (fréquence de fonctionnement, rampes, type de commande et niveau d'accès utilisateur)
- P2 - Divers et prévention des résonances
- P3 - Contrôle de la pression/de la température
- P5 - Communication Modbus RTU
- P8 - Commande de centrale frigorifique (2ième compresseur)

6 Caractéristiques techniques

380 ... 480 V (+/- 10%), entrée triphasée, sortie triphasée

Taille du CF	Puissance nominale		Courant d'entrée	Fusible / MCB (type B)		Taille maximale du câble		Courant de sortie nominal
	kW	HP		A	Non conforme aux normes UL	UL	mm ²	
FMU+6-4	2,2	3	4,8	6	6	8	8	5,8
FMU+10-4	4	5	8,2	10	10	8	8	9,5
FNU+14-4	5,5	7,5	11,5	16	15	8	8	14
FNU+18-4	7,5	10	15,7	25	20	8	8	18
FNU+24-4	11	15	21,3	32	30	8	8	24
FOU+30-4	15	20	25	32	30	16	8	30
FOU+39-4	18,5	25	32,8	50	40	16	5	39
FOU+46-4	22	30	39,3	50	50	16	5	46
FPU+61-4	30	40	52,3	63	70	35	5	61
FPU+72-4	37	50	62,5	80	80	35	2	72
FPU+90-4	45	60	79,5	100	100	35	2	90
FQU+110-4	55	75	102,2	125	FWP-125A	150	300MCM	110
FQU+150-4	75	100	138,2	200	FWP-175A	150	300MCM	150
FQU+180-4	90	150	167,4	250	FWP-225A	150	300MCM	180
FQU+202-4	110	175	189,8	250	FWP-250A	150	300MCM	202
FSU+370-4	200	200	377,2	500	500	240	450MCM	370
FSU+480-4	250	250	458,7	600	600	240	450MCM	480



Information

Les sections de câbles spécifiées sont les tailles maximales pouvant être raccordées au CF. Sélectionner les câbles en fonction des réglementations locales sur le site d'installation.

Environnement

- Plage de température ambiante stockage : -40 ... 60°C
- Plage de température ambiante fonctionnement : -10 ... 50°C
Taille CF FPU+90 :
> 35°C : Déclassement : 1,1% par °C
- Altitude maximale au-dessus du niveau de la mer : 4000 m
> 1000 m : Déclassement : 1% tous les 100 m
- Humidité de l'air relative : 95%, sans condensation
- Prévu pour le fonctionnement dans des environnements de type 3S2/3C2 selon CEI 60721-3-3.

80062101 // 10.2021

Subject to change
Änderungen vorbehalten
Toutes modifications réservées



82-HE420-BTZ_V1.01

BITZER Kühlmaschinenbau GmbH
Peter-Schaufler-Platz 1 // 71065 Sindelfingen // Germany
Tel +49 7031 932-0 // Fax +49 7031 932-147
bitzer@bitzer.de // www.bitzer.de