

SPEEDLITE ELV52 PRO

THE PERFECT MATCH FOR BUSES AND RAILWAYS

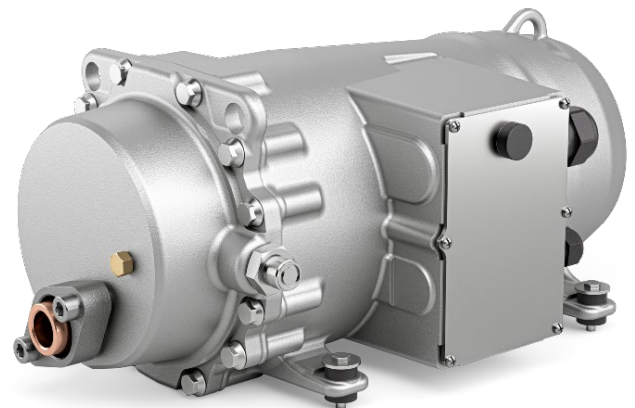
SPEEDLITE ELV52 PRO

FOR EFFICIENT AND SUSTAINABLE AIR CONDITIONING AND HEAT PUMPS



FEATURES AND HIGHLIGHTS

- // Lightweight aluminum design
- // Fits to the most compact systems due to its little overall dimensions (height of just 205 mm)
- // Superior bearings for long service life
- // Highly efficient permanent magnet motor to save energy
- // Available with economizer port for heat pump operation to extended the application envelope and enlarge the efficiency and heating capacity
- // Comfortable capacity regulation thanks to a wide speed range of 2.500...7.500 RPM
- // Refrigerants: R290, R134a, R407C, R513A, R1234yf



TECHNICAL DETAILS

	ELVP5243Z-40M
Displacement @ 7500 min-1	43 m ³ /h
Weight	35 kg
Max. power input	20 kW
Max. pressure (LP/HP)	19/30 bar
Rated voltage	3 phase 0–390 VAC
Oil type	PAG (R290); POE (R134a, R407C, R513A, R1234yf)
Max. operating current	32 A
Max. ambient temperature	-30°C .. 70°C
Inclination angle	+/- 10° in axial an radial direction (larger inclination angle on request)



SPEEDLITE ELV52 PRO

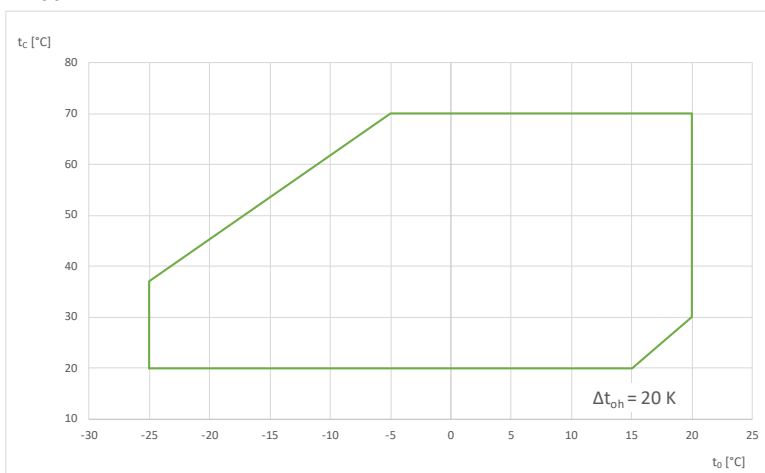
THE PERFECT MATCH FOR BUSES AND RAILWAYS

PERFORMANCE DATA

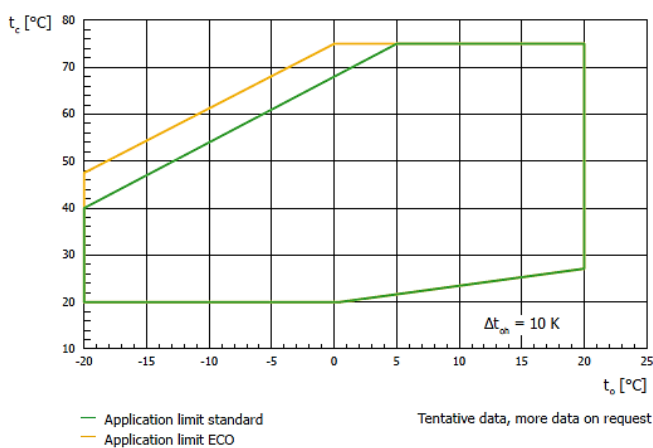
	Operating Point (t_0/t_c)	R290	R134a	R407C
Max. cooling capacity	5/50	34,4 kW	24,8 kW	35,8 kW
COP cooling		3,1	2,8	3,0
Max. heating capacity	-7/50	32,9 kW	23,1 kW	33,6 kW
COP heating		3,1	2,8	2,9

APPLICATION LIMITS

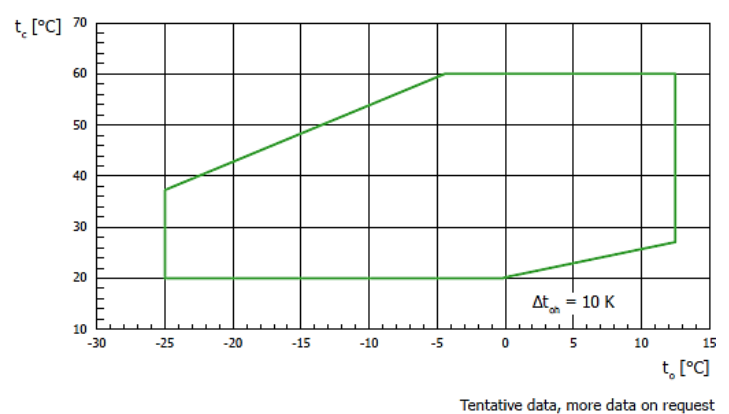
R290



R134a



R407C



SPEEDLITE ELV52 PRO

THE PERFECT MATCH FOR BUSES AND RAILWAYS

DIMENSIONAL DRAWING

